

NEMA line Outlet 5-15R, Snap-in Mounting, Front Side, V-Slot Terminal

**Description**

- Panel Mount:
 - Snap-in, Front-Side
- 1 Function:
 - Line Outlet, Protection class I
- V-Slot- Connector

Approvals

- CSA File Number: 73690

Characteristics

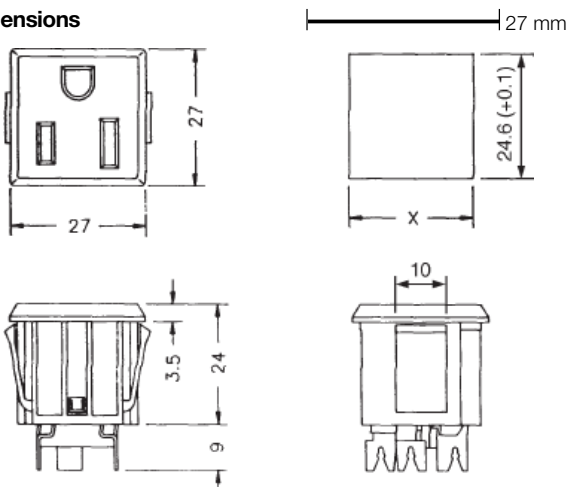
- Designed for standard applications

References**Weblinks**

General Product Information, Approvals, RoHS, CHINA-RoHS, Mating Connectors, e-Store, SCHURTER-Stock-Check, Distributor-Stock-Check, Accessories

Technical Data

Ratings IEC	15 A / 250 VAC; Hz
Ratings UL/CSA	15 A / 125 VAC; 60 Hz
Allowable Operation Temp.	-25 °C to +60 °C
Degree of Protection	from front side IP 20 acc. to IEC 60529
Protection Class	Suitable for appliances with protection class 1 acc. to IEC 61140
Terminal	V-Slot- Connector
Panel Thickness s	Snap-in 0.8 mm to 1.6 mm
Material: Housing	Thermoplastic, black

Dimensions

Panel thickness X
 0.8 - 1.2 mm: 24.6 mm
 1.3 - 1.6 mm: 24.8 mm

Dimensions



Installation Diagram: V-slotted terminals for connecting multiple receptacles (only for solid bare wires from type 14 AWG)

Variants

Type	Protection Class	Panel mounting	Panel Thickness s [mm]	Terminal	Order Number
0709-1	1	Snap-in	0.8 -1.6	V-Slot- Connector	4300.0702

Packaging unit 50 Pcs

Mating Inlets/Plugs

Category / Description

Power Supply Cord Overview complete



Power Supply Cord with NEMA 5-15 Power (Mains) Plug 3-pole, Angled	1140
Power Supply Cord with NEMA 1-15 Power (Mains) Plug 2-pole, Straight	4190
Power Supply Cord with NEMA 1-5p Power (Mains) Plug polarized, 2-pole, Straight	4191
Power Supply Cord with NEMA 1-15 Power (Mains) Plug 2-pole, Straight	419c
Power Supply Cord with NEMA 5-15 Power (Mains) Plug 3-pole, Straight	4390

Power Supply Cord further types to 0709-1

Power Supply or Interconnection Cord Overview complete



Divers Power Supply and Interconnection Cords 10 A	6009.1315
Divers Power Supply and Interconnection Cords 16 A	6009.5195
Divers Power Supply and Interconnection Cords 10 A	6047.6414
Divers Power Supply and Interconnection Cords 2.5 A	CS01.0221.150
Divers Power Supply and Interconnection Cords 2.5 A	CS02.0221.150

Power Supply or Interconnection Cord further types to 0709-1