

# Compact Flash Memory Card Connectors



## Features/Benefits

### TYPE I SERIES 5610/5611/5612

Series 5610, 5611 and 5612 are memory card connectors supporting Compact Flash. They are used for small portable devices such as digital cameras, Notebook PC, PDA, etc.

Series 5610 consists of header and ejector, Series 5611 of card receptacle connector and Series 5612 of card kit covers.

The header supports auto-mounting processes. It offers many options of ejector-button position and customized design. In addition to the normal and reverse type, standoff type (H=0/H=2.0) can also be offered, which enables the components to be mounted on the back side of card. The connector used for card side has variations of straddle mount type and single side mount type.

### TECHNICAL SPECIFICATIONS

#### Series 5610

<b>Number of Contacts:</b>	50
<b>Pitch:</b>	1.27mm (0.05) Grid
Tail Pitch:	0.635mm (0.025)
<b>Current Rating:</b>	0.5A Max.
<b>Voltage Rating:</b>	5V Max.
<b>DW Voltage:</b>	500V rms/min.
<b>Mating Cycles</b>	10,000

#### Series 5611

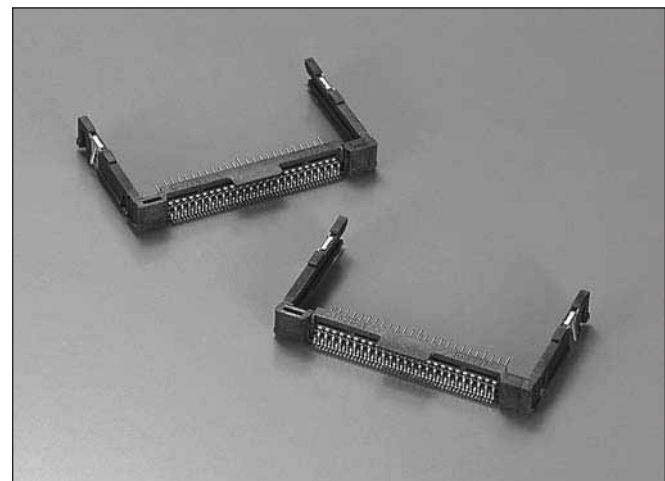
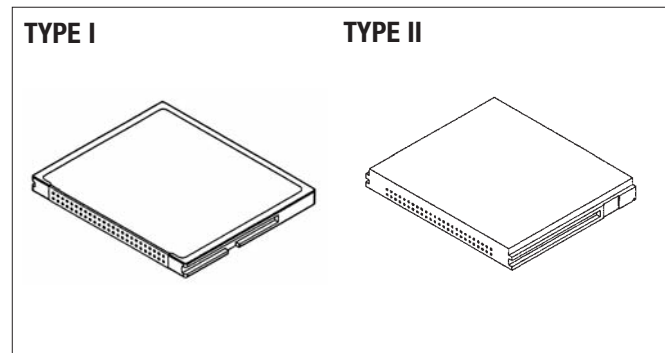
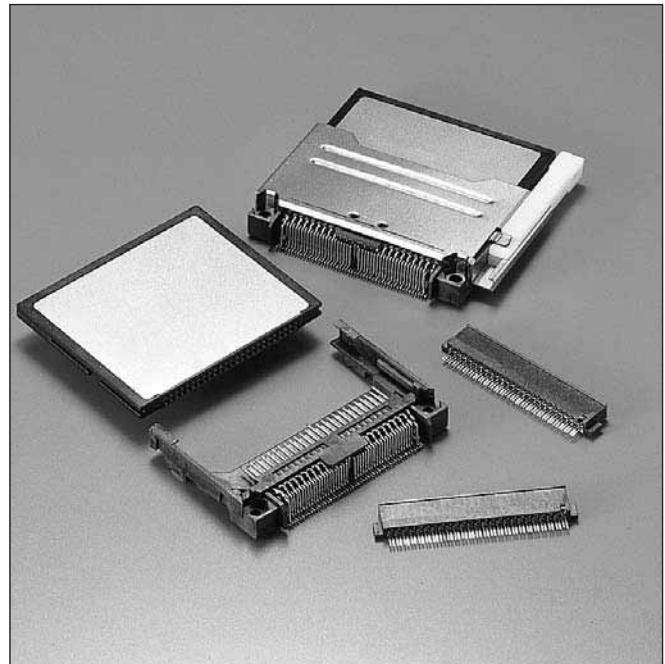
<b>Number of Contacts:</b>	50
<b>Pitch:</b>	1.27mm (0.05) Grid
Tail Pitch	
Straddle:	1.27mm (0.05)
Single Side:	0.635mm (0.025)
<b>Current Rating:</b>	0.5A Max.
<b>Voltage Rating:</b>	5V Max.
<b>DW Voltage:</b>	500V rms/min.
<b>Mating Cycles</b>	10,000

### TYPE II SERIES 5620

Series 5620 is a memory card connector designed to comply with the Type II card standard of Compact Flash Association.

### TECHNICAL SPECIFICATIONS

<b>Number of Contacts:</b>	50
<b>Pitch:</b>	1.27mm (0.05) Grid
Tail Pitch:	0.635mm (0.025)
<b>Current Rating:</b>	0.5A Max.
<b>Voltage Rating:</b>	5V Max.
<b>DW Voltage:</b>	500V rms/min.
<b>Mating Cycles</b>	10,000

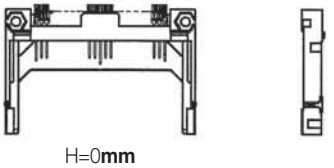
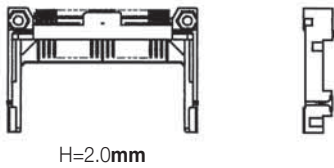


# Compact Flash Memory Card Connectors

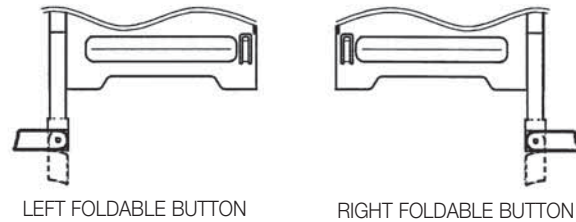
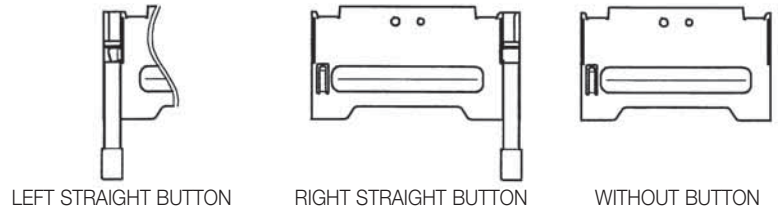


## Series 5610/5620 Product Selection Guide

### CONNECTOR



### EJECTOR



### CONNECTOR

Stand Off	Keying	Connector	Page
Type I Height=0	Normal	<b>31 5610 050 500 871</b>	24, 25
	Reverse	<b>31 5610 050 550 871</b>	
Type I Height=2.0	Normal	<b>31 5610 050 210 871</b>	26, 27
	Reverse	<b>31 5610 050 260 871</b>	
Type II Height=0	Normal	<b>31 5620 050 116 871</b>	28
Type II Height=2.0	Reverse	<b>31 5620 050 716 871</b>	29

### CONNECTOR AND EJECTOR

Connector Style		Ejector Style		How To Order		Page
Stand Off	Keying	Button Side		Connector	Ejector	
Type I Height=0	Normal	Straight	Left	<b>31 5610 050 500 871</b>	<b>30 5610 000 001 000</b>	24, 25
			Right	<b>31 5610 050 500 871</b>	<b>30 5610 000 002 000</b>	
		Foldable	Left	<b>31 5610 050 500 871</b>	<b>30 5610 000 005 000</b>	
			Right	<b>31 5610 050 500 871</b>	<b>30 5610 000 006 000</b>	
Type I Height=0	Reverse	Straight	Left	<b>31 5610 050 550 871</b>	<b>30 5610 000 001 000</b>	24, 25
			Right	<b>31 5610 050 550 871</b>	<b>30 5610 000 002 000</b>	
		Foldable	Left	<b>31 5610 050 550 871</b>	<b>30 5610 000 005 000</b>	
			Right	<b>31 5610 050 550 871</b>	<b>30 5610 000 006 000</b>	
Type I Height=2.0	Normal	Straight	Left	<b>31 5610 050 210 871</b>	<b>30 5610 000 001 000</b>	26, 27
			Right	<b>31 5610 050 210 871</b>	<b>30 5610 000 002 000</b>	
		Foldable	Left	<b>31 5610 050 210 871</b>	<b>30 5610 000 005 000</b>	
			Right	<b>31 5610 050 210 871</b>	<b>30 5610 000 006 000</b>	
Type I Height=2.0	Reverse	Straight	Left	<b>31 5610 050 260 871</b>	<b>30 5610 000 001 000</b>	26, 27
			Right	<b>31 5610 050 260 871</b>	<b>30 5610 000 002 000</b>	
		Foldable	Left	<b>31 5610 050 260 871</b>	<b>30 5610 000 005 000</b>	
			Right	<b>31 5610 050 260 871</b>	<b>30 5610 000 006 000</b>	
Type II Height=0	Normal	Straight	Left	<b>31 5620 050 116 871</b>	<b>30 5620 000 001 000</b>	28
			Right	<b>31 5620 050 116 871</b>	<b>30 5620 000 002 000</b>	
		Foldable	Left	<b>31 5620 050 116 871</b>	<b>30 5620 000 005 000</b>	
			Right	<b>31 5620 050 116 871</b>	<b>30 5620 000 006 000</b>	
Type II Height=2.0	Reverse	Straight	Left	<b>31 5620 050 716 871</b>	<b>30 5620 000 001 000</b>	29
			Right	<b>31 5620 050 716 871</b>	<b>30 5620 000 002 000</b>	
		Foldable	Left	<b>31 5620 050 716 871</b>	<b>30 5620 000 005 000</b>	
			Right	<b>31 5620 050 716 871</b>	<b>30 5620 000 006 000</b>	

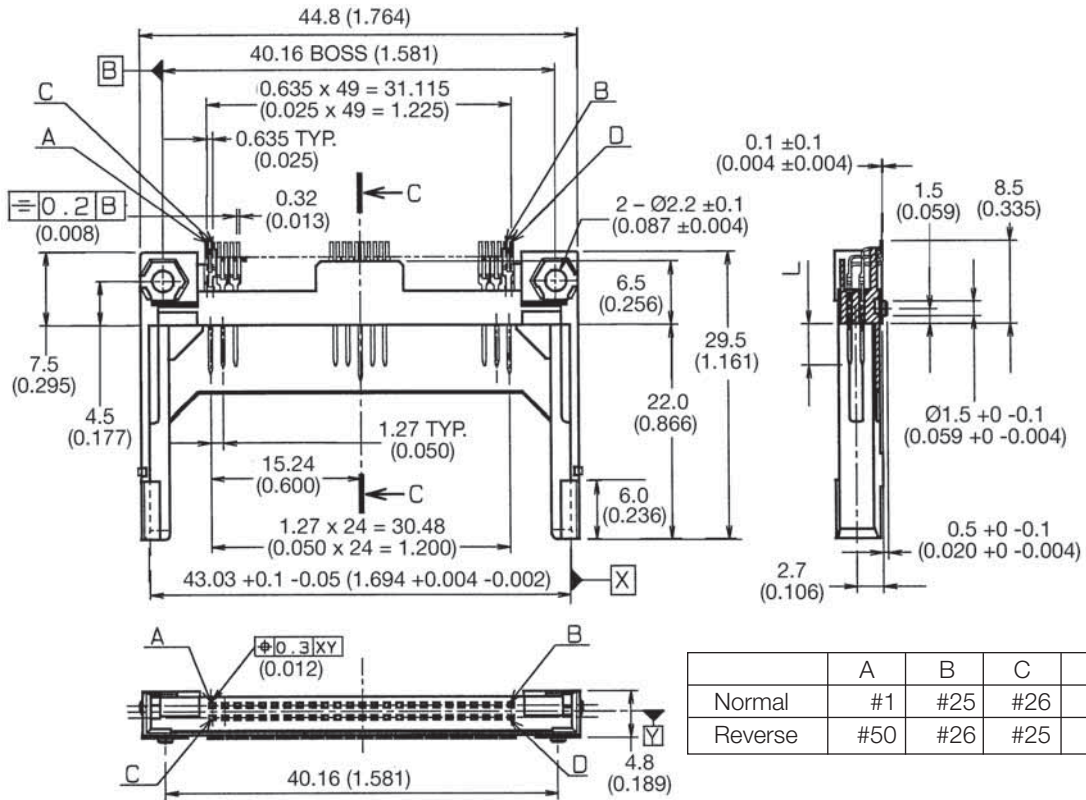


# Compact Flash Memory Card Connectors

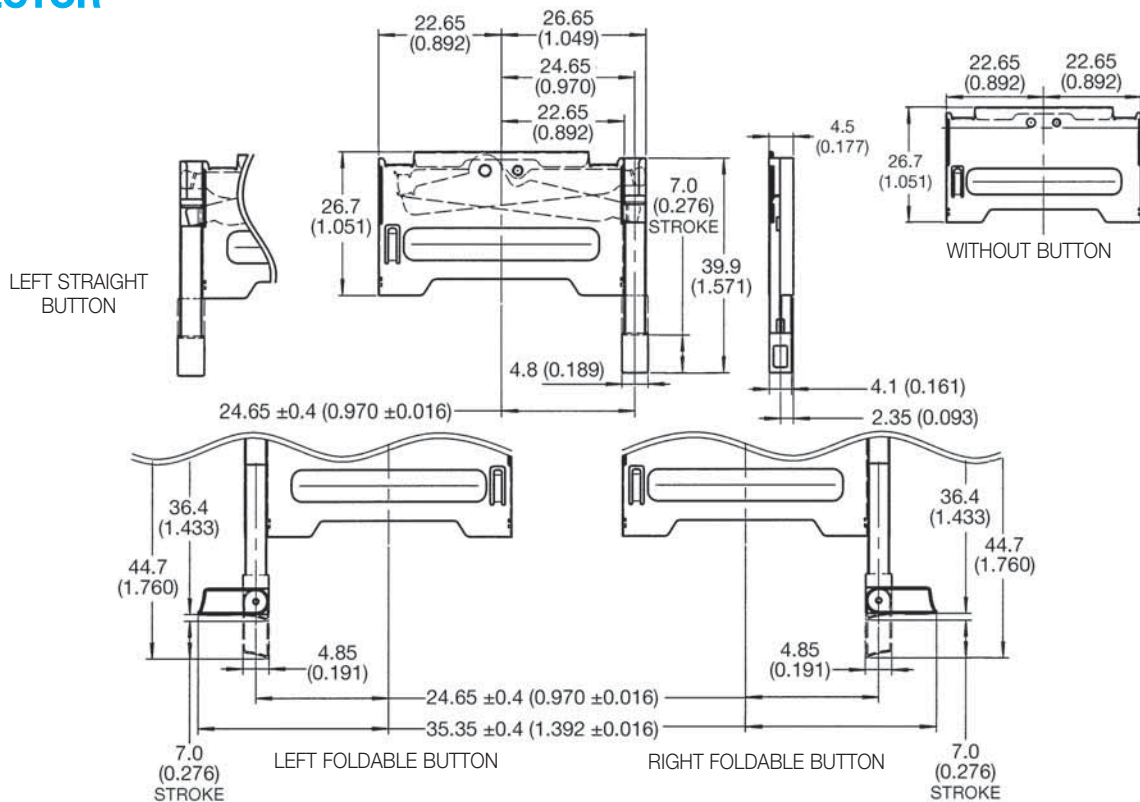


## Series 5610 Header/Ejector Assembly H=0mm

### CONNECTOR



### EJECTOR



See page 23 for How To Order

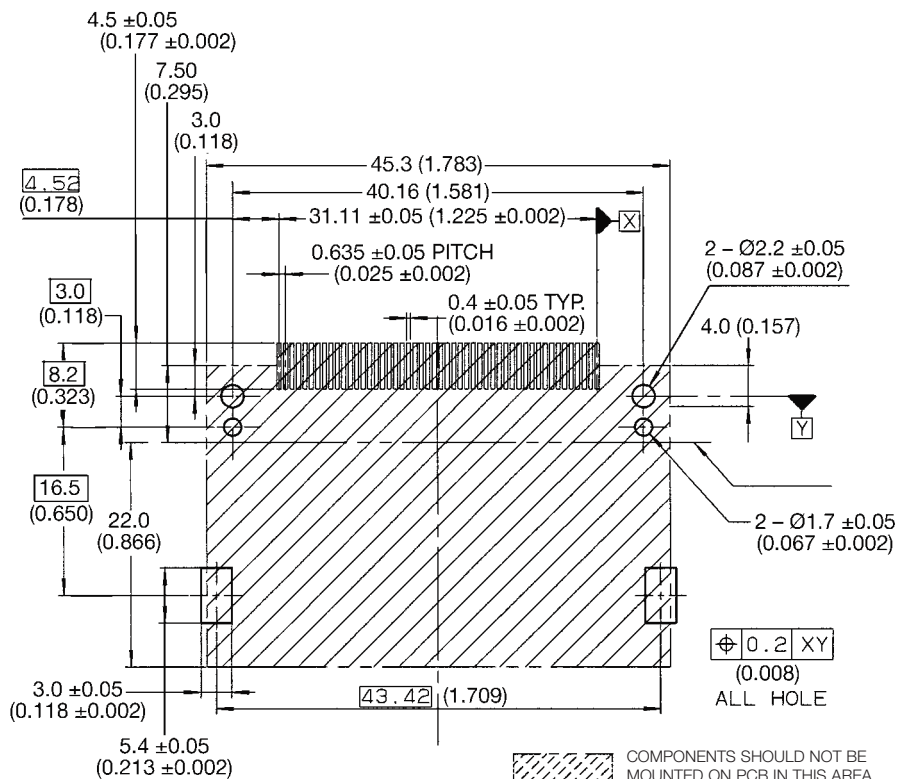
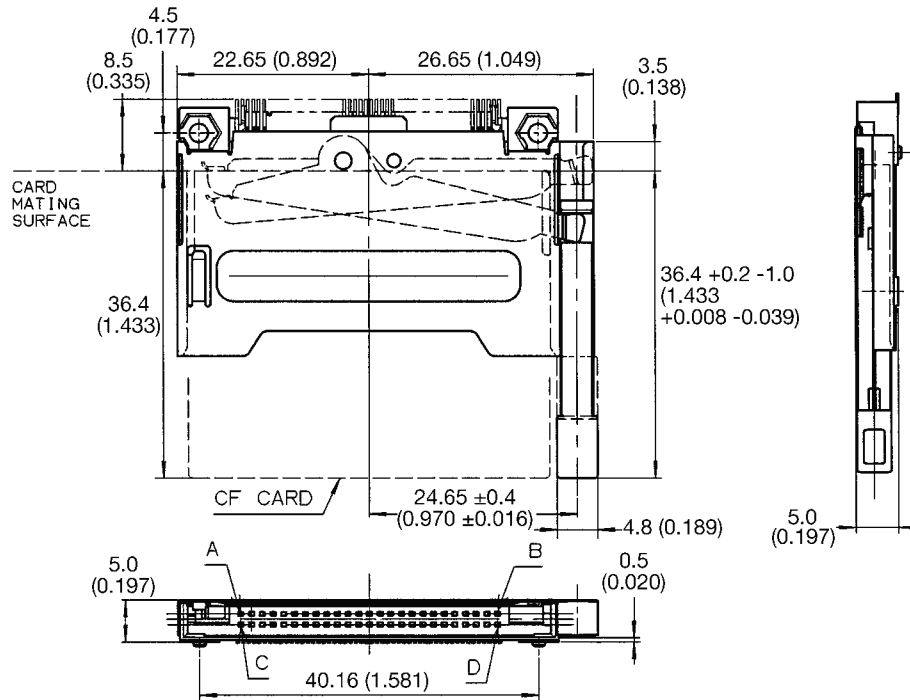


# Compact Flash Memory Card Connectors



## Series 5610 Header/Ejector Assembly H=0mm

### ASSEMBLY



RECOMMENDED PRINTED CIRCUIT LAYOUT

Height	Boss	Key	How To Order
H=0	0.5	Normal	<b>31 5610 050 500 871</b>
		Reverse	<b>31 5610 050 550 871</b>

	A	B	C	D
Normal	#1	#25	#26	#50
Reverse	#50	#26	#25	#1

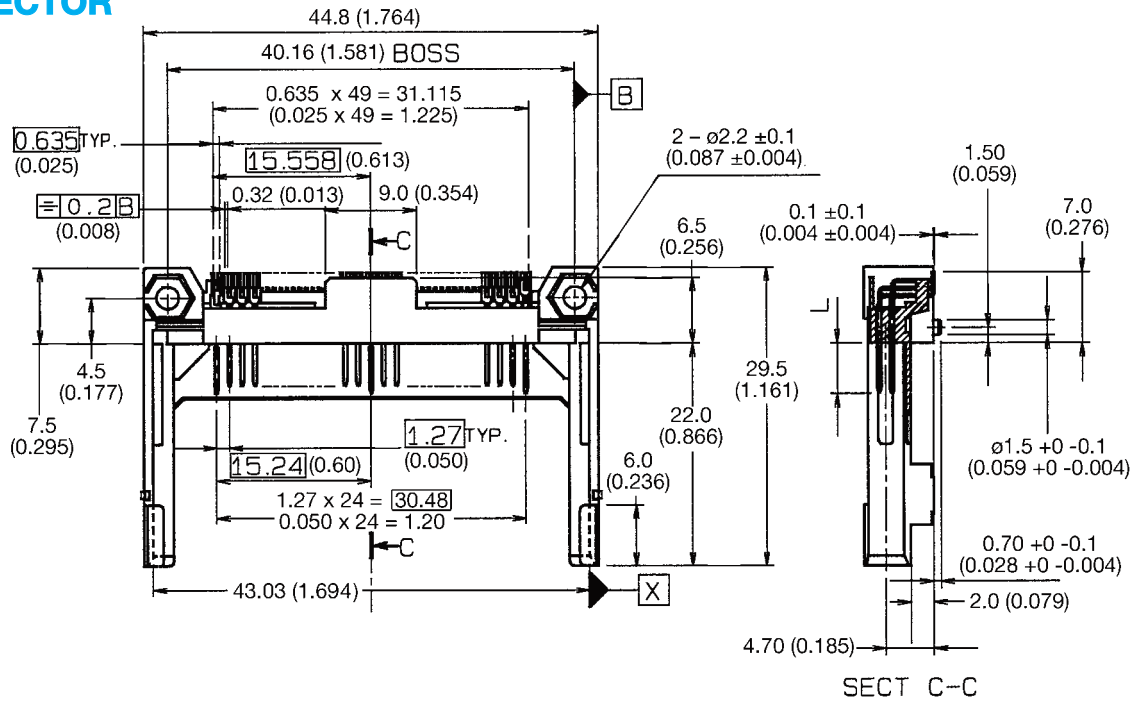


# Compact Flash Memory Card Connectors

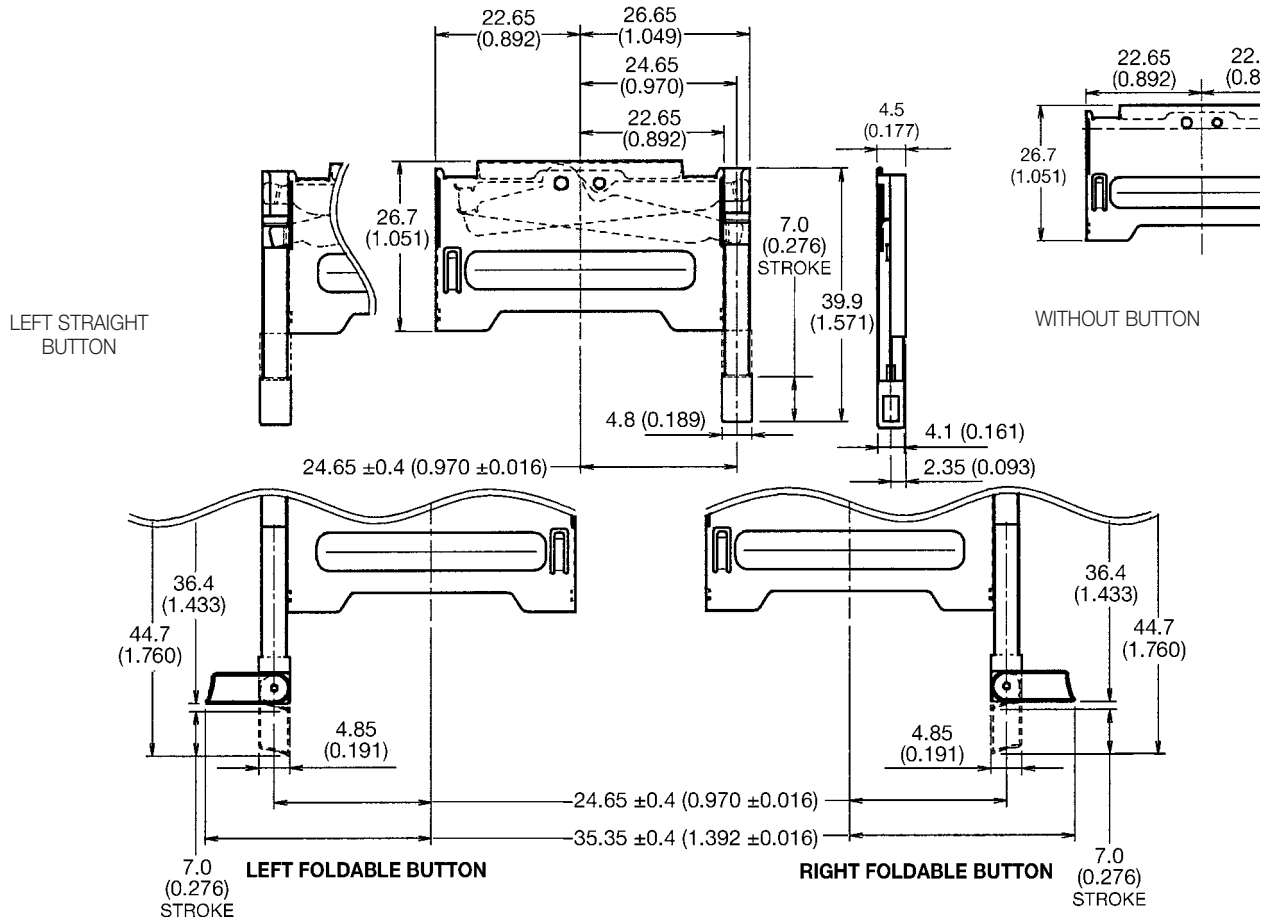


## Series 5610 Header/Ejector Assembly H=2mm

### CONNECTOR



### EJECTOR



See page 23 for How To Order

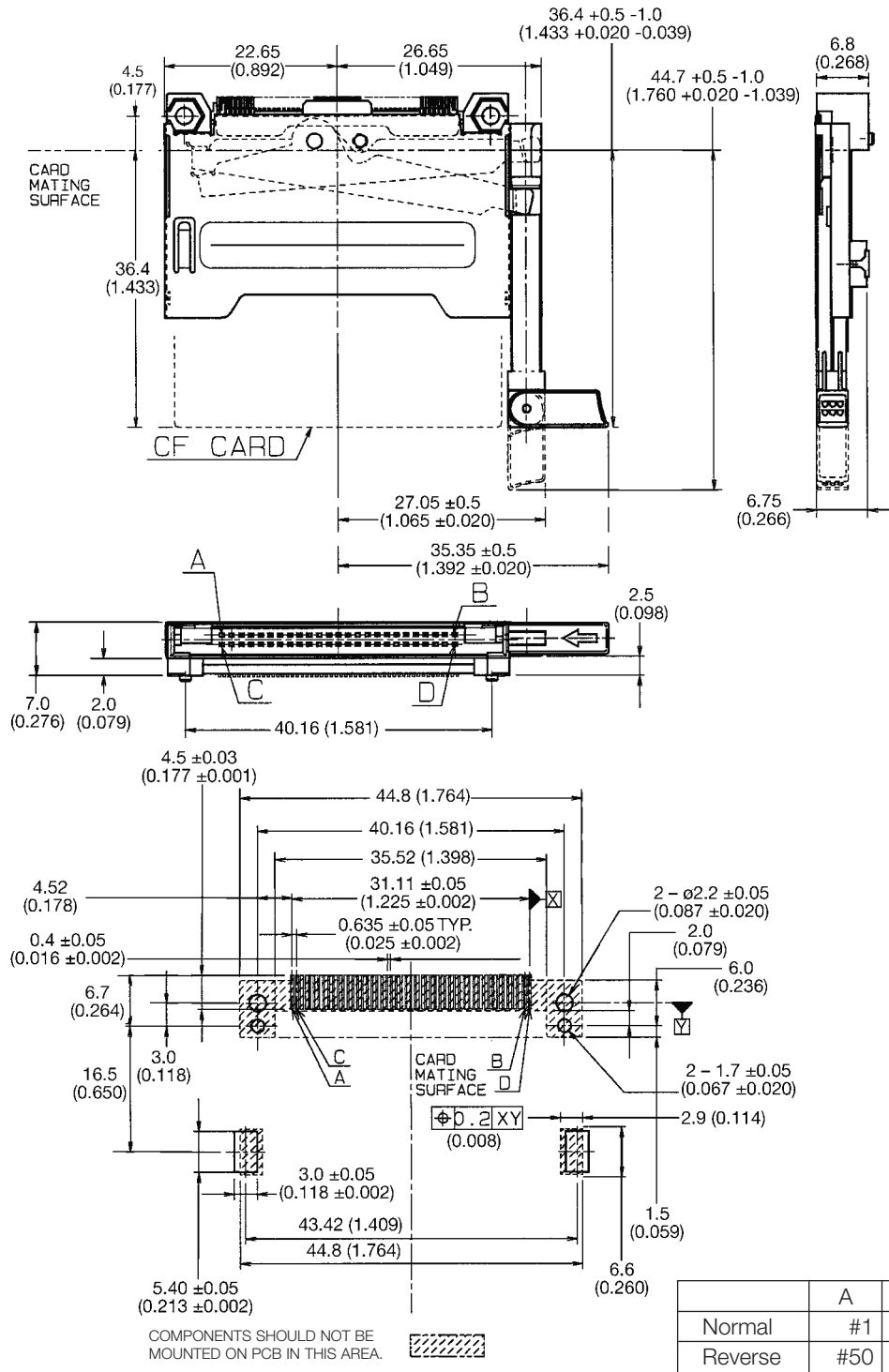


# Compact Flash Memory Card Connectors



## Series 5610 Header/Ejector Assembly H=2mm

### ASSEMBLY



RECOMMENDED PRINTED CIRCUIT LAYOUT

	A	B	C	D
Normal	#1	#25	#26	#50
Reverse	#50	#26	#25	#1

CONNECTOR			
Height	Boss	Key	How To Order
H=2.2	0.7	Normal	<b>31 5610 050 210 871</b>
		Reverse	<b>31 5610 050 260 871</b>

