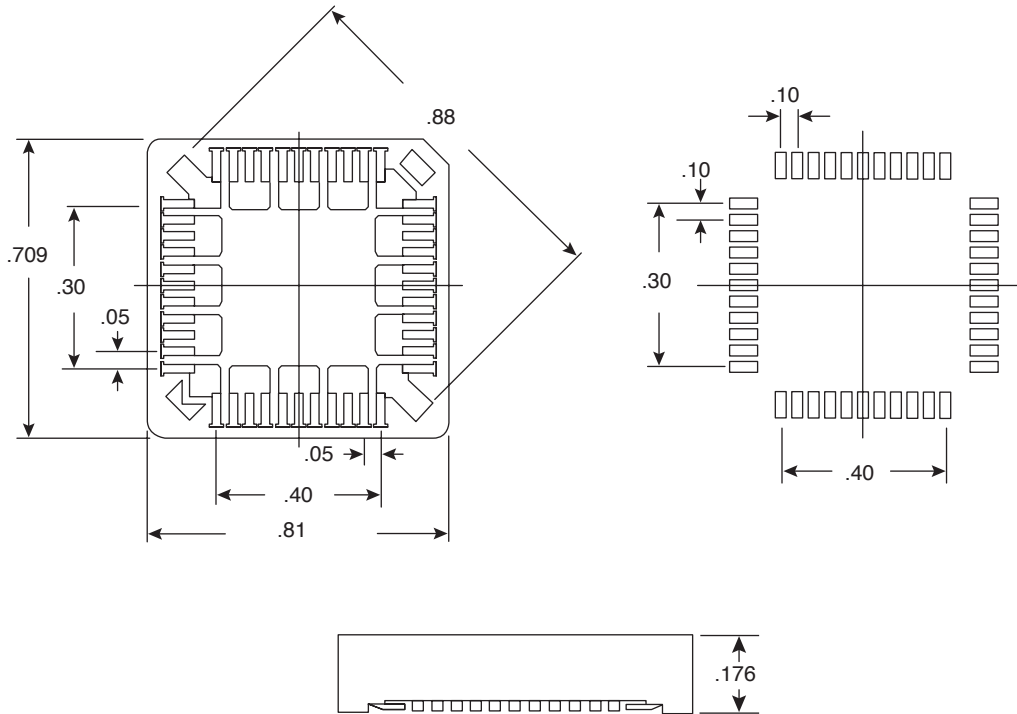


PLCC Socket

151-1534



PLCC Socket



Dimensions: in.

SPECIFICATIONS

Type:	PLCC 32 Pin, SMT
Contact Resistance:	30mΩ max. @ 100mA DC
Insulation Resistance:	1000MΩ min. @ 500VDC
Current Rating:	1A
Voltage Rating:	500VAC for 1 Minute
Operating Temperature:	-65°C ~ +125°C

MATERIALS

Contacts:	Tin/Gold Plated Phosphor Bronze
Housing:	PPS & 40% Glass Fiber

Date Last Revised: 3-6-07

Available from Mouser Electronics
1-800-346-6873 / www.mouser.com

KC-300749

151-1534

Specifications are subject to change without notice. No liability or warranty implied by this information. Environmental compliance based on producer documentation.