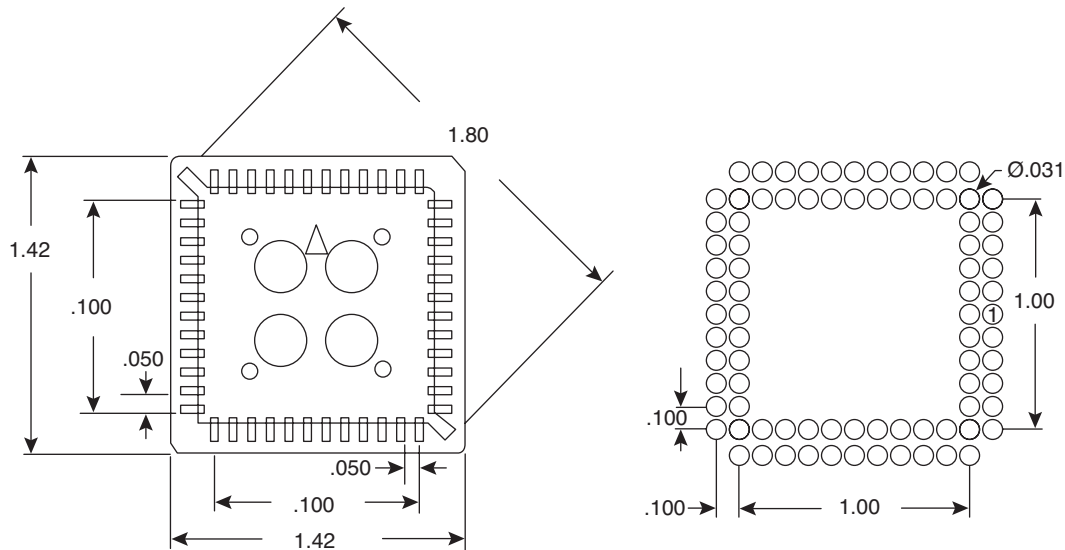


# PLCC Sockets

151-1584, 151-1585



PLCC Sockets



Dimensions: In.

## SPECIFICATIONS

Type:	PLCC 84 pin, thru-hole
Contact resistance:	30mΩ max. @ 100mA DC
Insulator resistance:	1000MΩ min. @ 500VDC
Current rating:	1 amp
Voltage rating:	500VAC for 1 minute
Operating temperature:	-65°C to +125°C
Contact material:	plated phosphor bronze
Contact plating:	tin (151-1584); gold (151-1585)
Housing material:	PPS and 40% glass fiber

Date Last Revised: 10-18-05

Available from Mouser Electronics  
1-800-346-6873  
www.mouser.com

KC-300756

151-1584, 151-1585

Specifications are subject to change without notice. No liability or warranty implied by this information. Environmental compliance based on producer documentation.