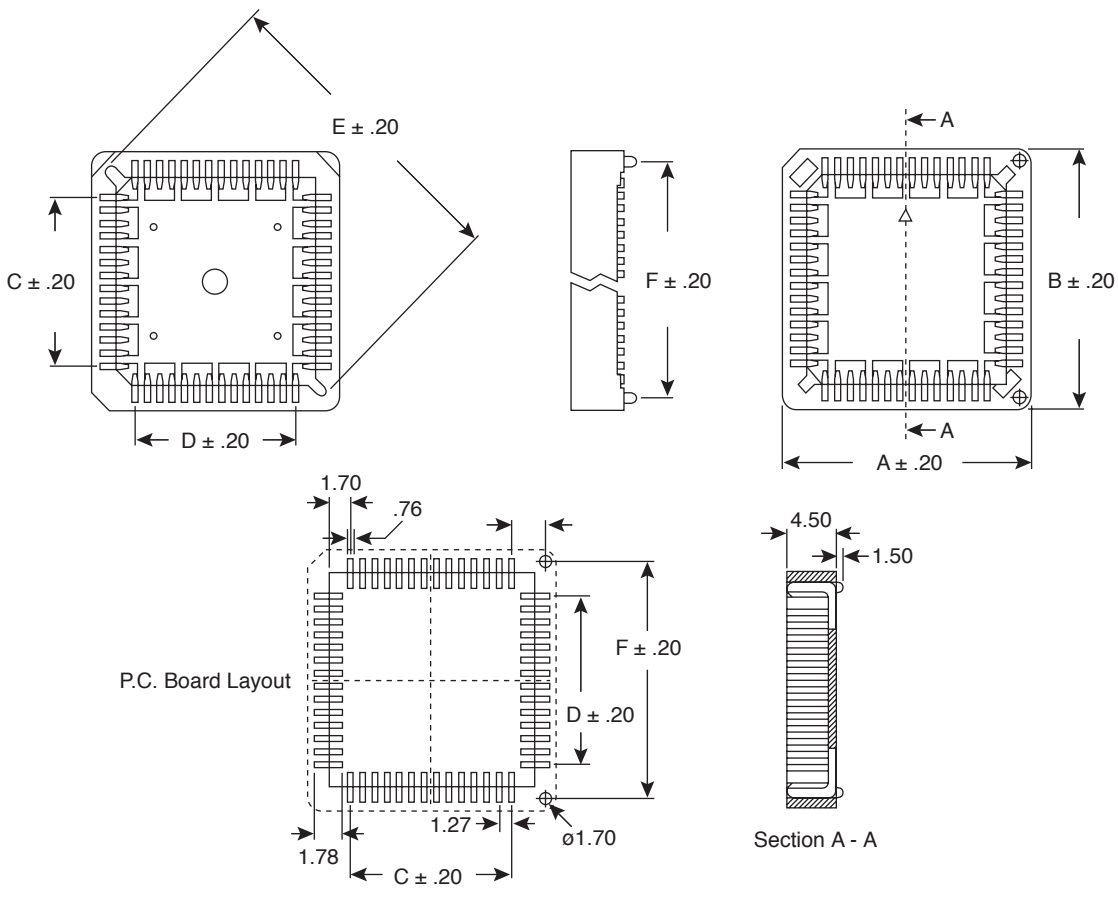


PLCC Socket

151-1554



PLCC Socket



Dimensions: mm (IN.)

Position	Dimension: mm						
	A	B	C	D	E	F	
20	15.24	15.24	5.08	5.08	16.70	12.70	
28	17.78	17.78	7.62	7.62	20.30	15.24	
32	TDN	18.20	20.74	7.62	10.16	22.76	
	TDP	17.78	20.32	7.62	10.16	22.50	17.78
44	TDN	23.28	23.28	12.70	12.70	28.05	
	TDP	22.86	22.86	12.70	12.70	27.50	20.32
52	25.40	25.40	15.24	15.24	31.10	22.86	
68	30.82	30.82	20.32	20.32	38.30	27.94	
84	35.90	35.90	25.40	25.40	45.50	33.02	

Date Last Revised: 6-27-05

Available from Mouser Electronics
 1-800-346-6873
 www.mouser.com

KC- 300779

151-1554

Specifications are subject to change without notice. No liability or warranty implied by this information. Environmental compliance based on producer documentation.