



# Series 537 'Live Bug' Type Universal PLCC ZIF Test Socket

## FEATURES

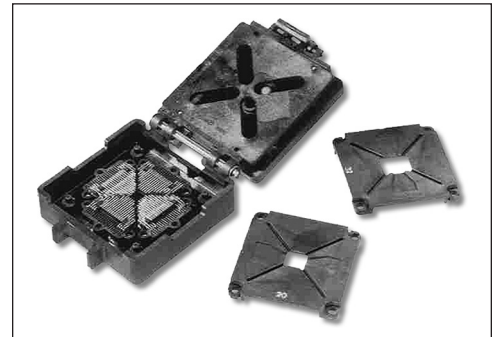
- This Universal PLCC ZIF Test Socket will take seven sizes of PLCC footprints with Aries Insert Plate, P/N XX-537-20, see [Data Sheet 10012](#) for additional Insert Plates
- The PLCC is inserted 'live bug' (pins down) into the position over the bed; the top half of the clamshell is closed for testing, programming, etc. The bottom solder tail pins are the ends of the contacts or "bed," thus permitting mounting to a PC board.
- Accepts JEDEC MO-047AA-AH PLCC's and JEDEC MO-044AA-AB ceramics with 20, 28, 44, 52, 68, or 84 square leads, as well as JEDEC MS-016 PLCC's with 32 rectangular leads.

## GENERAL SPECIFICATIONS

- PLASTIC: black UL 94V-0 glass-filled Polyphenylene Sulfide (PPS)
- CONTACT PIN: BeCu 172 heat-treated
- CONTACT PLATING: 12μ [0.31μ] min. Au per MIL-G-45204 over 100μ [2.54μ] min. Ni per SAE AMS-QQ-N-290 over 20μ [0.51μ] Cu per MIL-C-14550
- HARDWARE: Stainless Steel
- OPERATING TEMPERATURE: 85°F to 257°F [-65°C to 125°C]
- LIFE CYCLE: 10,000 insertions max.

## MOUNTING CONSIDERATIONS

- SUGGESTED PCB HOLE SIZE: 0.032 ±0.002 [0.81 ±0.05] dia.



**CUSTOMIZATION:** In addition to the standard products shown on this page, Aries specializes in custom design and production. Special materials, platings, sizes, and configurations can be furnished, depending on the quantity. **NOTE:** Aries reserves the right to change product general specifications without notice.

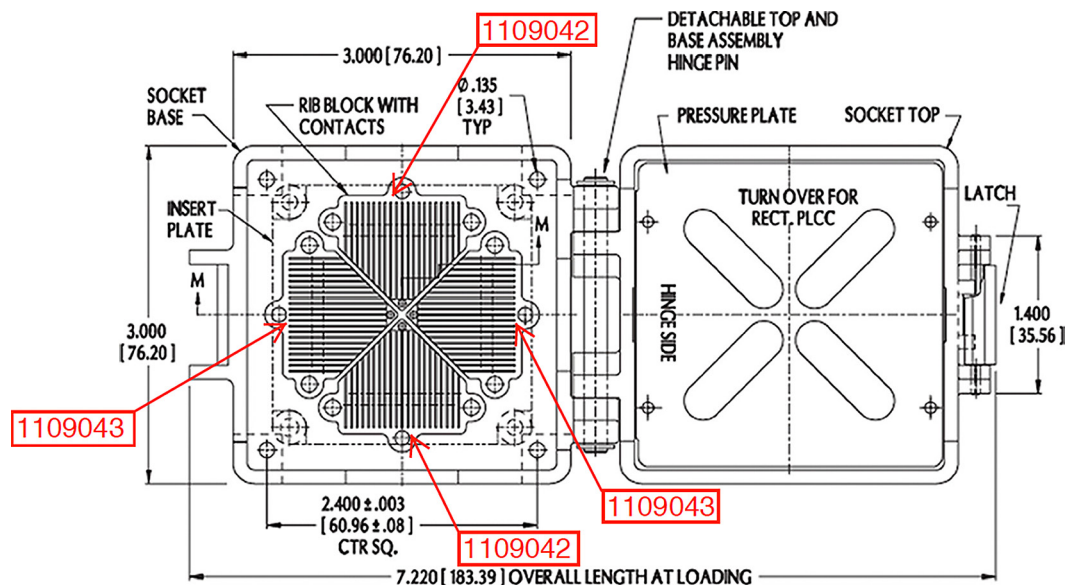
## ORDERING INFORMATION

P/N 84-537-21 Socket Only, No Insert Plates  
P/N 84-537-21-7 for Socket & All 7 Insert Plates

ALL DIMENSIONS: INCHES [MILLIMETERS]

ALL TOLERANCES: ±0.005 [0.13] UNLESS OTHERWISE SPECIFIED

CONSULT FACTORY FOR OTHER SIZES AND CONFIGURATIONS



Bristol, PA 19007-6810 USA  
TEL (215) 781-9956 • FAX (215) 781-9845  
WWW.ARIESELEC.COM • INFO@ARIESELEC.COM

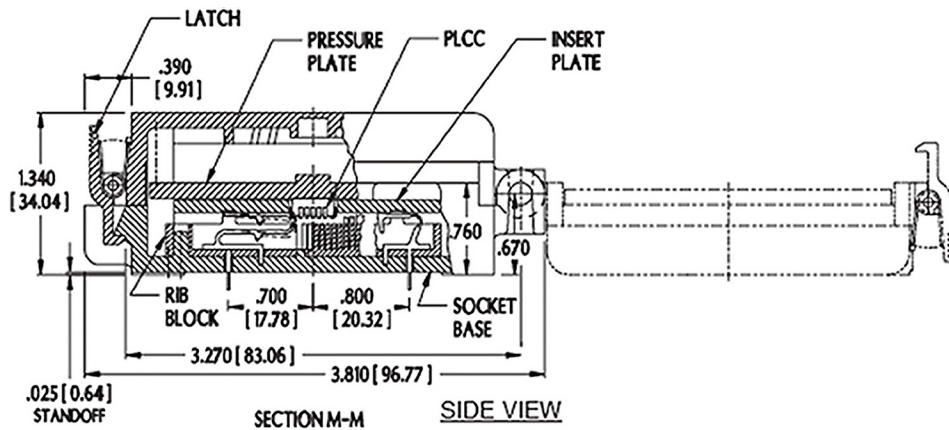


PRINTOUTS OF THIS DOCUMENT MAY BE OUT OF DATE AND SHOULD BE CONSIDERED UNCONTROLLED

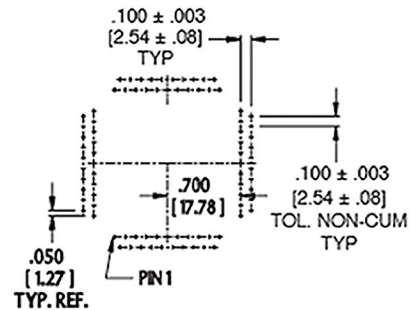
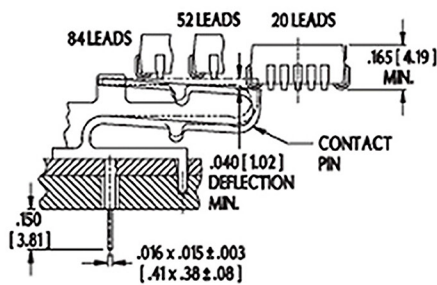
10010  
1 of 2  
Rev. AA



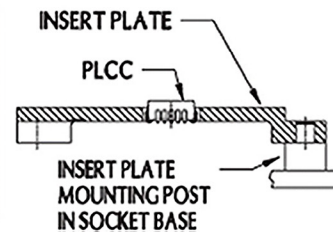
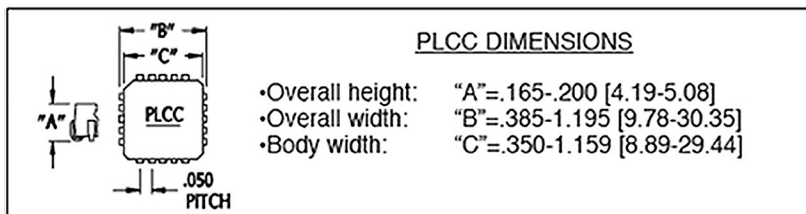
# Series 537 'Live Bug' Type Universal PLCC ZIF Test Socket



## CONTACT DETAIL



Top View Footprint  
84 Pin Terminals



Bristol, PA 19007-6810 USA  
 TEL (215) 781-9956 • FAX (215) 781-9845  
 WWW.ARIESELEC.COM • INFO@ARIESELEC.COM



PRINTOUTS OF THIS DOCUMENT MAY BE OUT OF DATE AND SHOULD BE CONSIDERED UNCONTROLLED

10010  
 2 of 2  
 Rev. AA