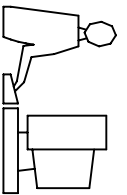
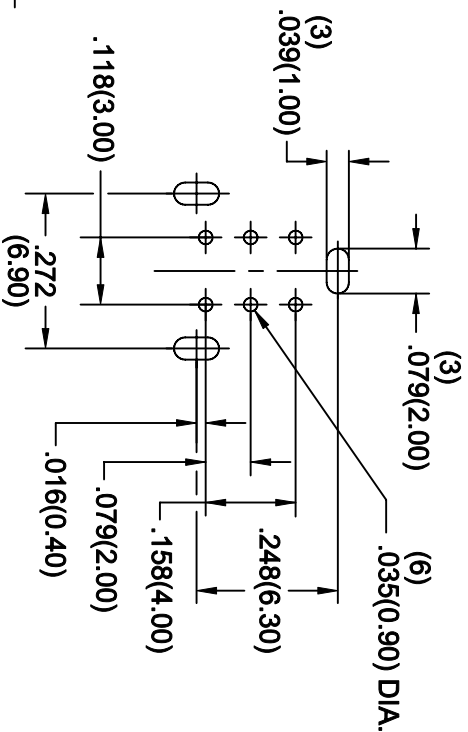
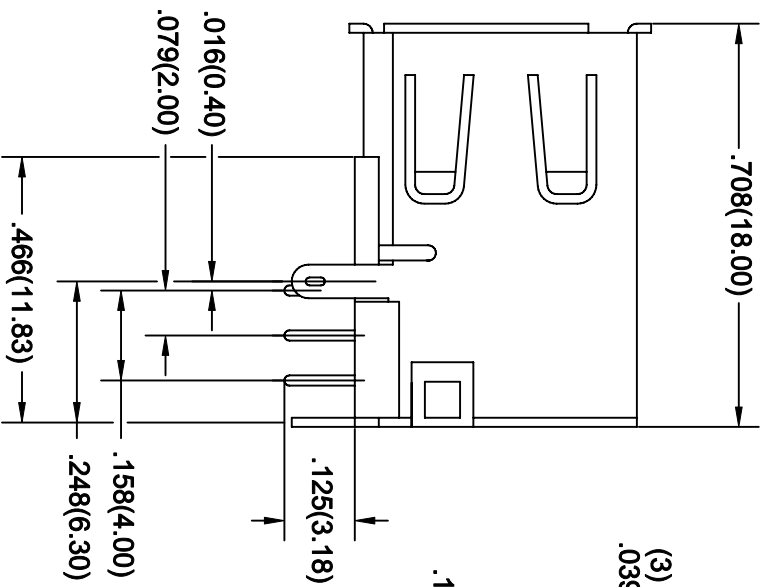
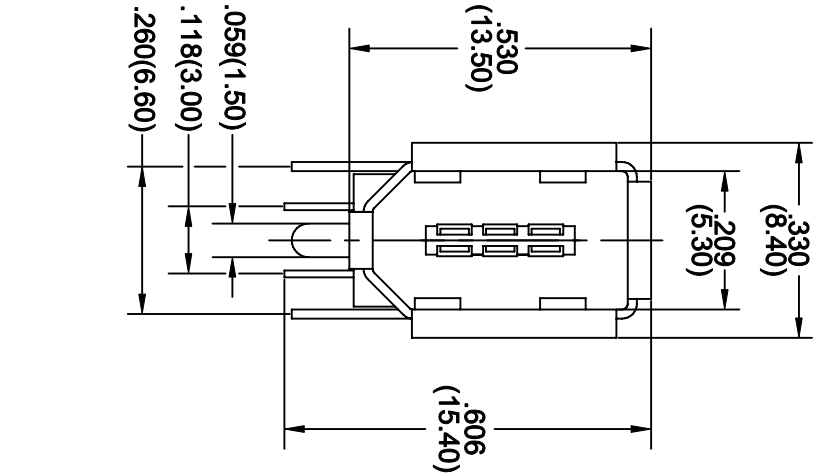


THIS IS A C.A.D. GENERATED DRAWING  
DO NOT MAKE MANUAL REVISIONS TO MASTER.



ISSUE NUMBER  
ORIGINAL ①



**RECOMMENDED PCB LAYOUT**

**MATERIALS**

INSULATOR: LCP OR NYLON 6T COLOR BLACK  
CONTACTS: BRASS, 30 MICRONS OF GOLD  
PLATED ON MATING AREA TIN ON TAILS  
SHELL: BRASS, TIN PLATED

**ELECTRICAL SPECIFICATIONS**

CONTACT CURRENT RATING: 1 AMPERE  
DWV: 500 VAC R.M.S.  
INSULATION RESISTANCE: 500 MEGOHMS MIN.  
CONTACT RESISTANCE: 30 MILLOHMS MAX.  
OPERATING TEMPERATURE: -55°C TO +105°C

**IEEE 1394 VERTICAL R/A CONNECTOR  
(RECEPTACLE)**

ACAD REF. DWG. NO. 693-006-621-003

DRAWN. F. BRIONES DATE. APR. 22/04

PART NUMBER.

693-006-621-003

DRAWING NUMBER.

693-006-621-003

ISSUE  
2



THIS SERIES FULLY CONFORMS TO THE  
EUROPEAN UNION DIRECTIVES 2002/95/EC  
AND 2002/96/EC FOR ROHS COMPLIANCY.



EDARC INC.  
TORONTO, ONTARIO  
CANADA

YOUR CONNECTION TO QUALITY & SERVICE

THESE DRAWINGS AND SPECIFICATIONS  
ARE THE PROPERTY OF EDARC INC. AND  
SHALL NOT BE REPRODUCED OR COPIED  
OR USED AS THE BASIS FOR THE  
MANUFACTURE OR SALE OF APPARATUS  
WITHOUT WRITTEN PERMISSION.