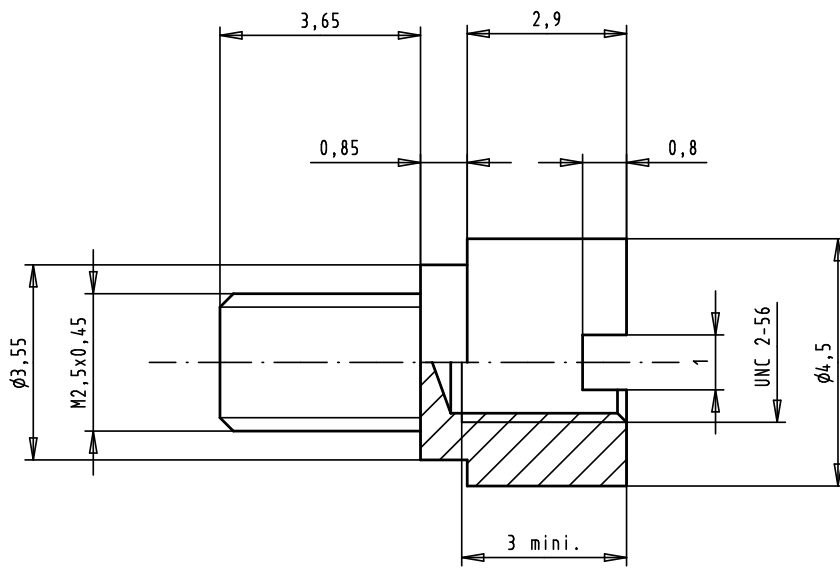




Alle Rechte vorbehalten/ All rights reserved



Material : Copper alloy  
 Plating : Nickel  
 Tightening torque : 0,30 N.m  
 Assembly: with panel  $1\pm 0,1$  or without panel

				Det.	Name	 All Dim. in mm Orig. Size DIN A 4	har-mik:	Maßstab/ Scale
			Detail.	19/09/95	jfb		Female screwlock	10:1
			Insp.				thread: M2,5 / UNC 2-56	
			Stand.					
32516	21/01/05	TR	HARTING EURL				TB 60 01 000 9013	Blatt/ Page
16248	19/09/95	jfb	F-95972 Paris				Sub.	1/1
Mod.	Det.	Name						