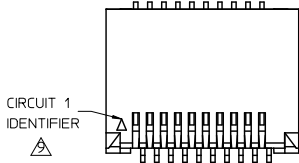


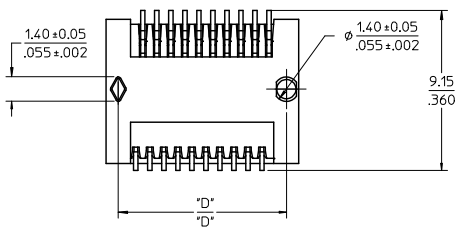
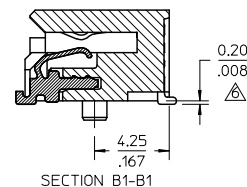
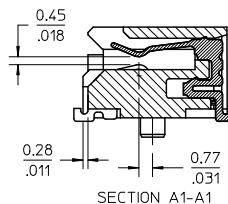
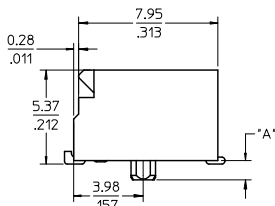
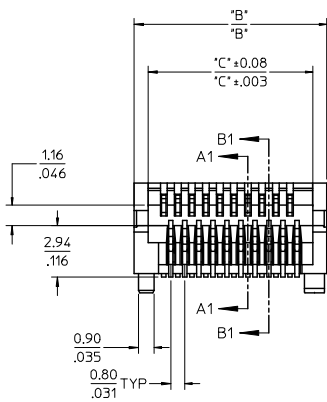
13 12 11 10 9 8 7 6 5 4 3 2 1

| CKT SIZE | PART NUMBER | DESCRIPTION | "A" | "B" | "C" | "D" |
|----------|-------------|-------------------|-----------|-------------|-------------|-------------|
| 20 | 74441-9001 | PLATED PER NOTE 2 | 1.10/.043 | 11.00/.433 | 9.40/.378 | 9.60/.378 |
| 20 | 74441-9010 | PLATED PER NOTE 3 | 1.10/.043 | 11.00/.433 | 9.40/.378 | 9.60/.378 |
| 30 | 74441-9007 | PLATED PER NOTE 2 | 1.10/.043 | 15.00/.591 | 13.40/.528 | 13.60/.535 |
| 40 | 74441-9005 | PLATED PER NOTE 2 | 1.10/.043 | 19.00/.748 | 17.40/.685 | 17.60/.693 |
| 70 | 74441-9003 | PLATED PER NOTE 2 | 1.10/.043 | 31.00/1.220 | 29.40/1.157 | 29.60/1.165 |



NOTES

- MATERIAL:
HOUSING - HIGH TEMPERATURE THERMOPLASTIC GLASS FILLED, UL 94V-0, BLACK
TERMINALS - COPPER ALLOY
 - PLATING:
CONTACT AREA - 0.38 μm MIN GOLD OVER 2.54 μm MIN NICKEL
SOLDER FOOT AREA - 2.54 - 5.09 μm TIN OVER 2.54 μm MIN NICKEL.
 - PLATING:
CONTACT AREA - 0.76 μm MIN GOLD OVER 2.54 μm NICKEL
SOLDER AREA - 2.54 - 5.09 μm TIN OVER 2.54 μm MIN NICKEL
 - PLATING:
CONTACT AREA - 0.76 μm MIN GOLD OVER 2.54 μm NICKEL, LUBRICATED
SOLDER AREA: GOLD FLASH OVER 2.54 μm MIN NICKEL.
 - PLATING:
CONTACT AREA - 0.76 μm MIN GOLD OVER 2.54 μm NICKEL,
SOLDER AREA: GOLD FLASH OVER 2.54 μm MIN NICKEL.
- ⚠ TERMINAL SOLDER FEET TO BE COPLANAR WITHIN 0.10/.004 FOR 20, 30 AND 40 CIRCUIT CONNECTORS
TERMINAL SOLDER FEET TO BE COPLANAR WITHIN 0.15/.006 FOR 70 CIRCUIT CONNECTOR
- * CONTACT PLANT FOR MORE INFORMATION
 - DATE CODE: 4 DIGIT (3 DIGIT DATE, 1 DIGIT YEAR)
 - ⚠ CIRCUIT 1 IDENTIFIER LOCATED ON ALL PART NUMBERS

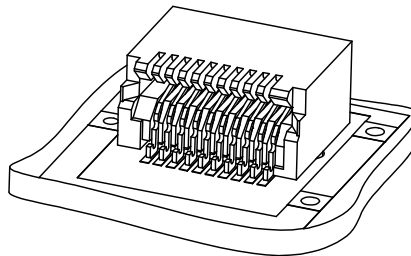


| | | | | | | | | | |
|---|--------------------------------------|---------------------------------------|--|--|------------|---|--------------|-------------|--|
| INITIAL RELEASE EC NO. UCP2010-0714 2009/09/16 DRAWN BY MSIBARRA 2009/09/14 CHKD BY BBARKER 2009/09/14 APPR: SMILLER | QUALITY SYMBOLS ∇=0 ∇=0 ∇=0 | GENERAL TOLERANCES (UNLESS SPECIFIED) | | DIMENSION STYLE | | SCALE | DESIGN UNITS | THIRD ANGLE | |
| | | | | MM/IN | | 6:1 | METRIC | PROJECTION | |
| | | | | DRAWN BY | DATE | TITLE | | | |
| | | | | MSIBARRA | 2009/09/16 | SALES ASSEMBLY- LEADFREE Z AXIS PLUGGABLE PCB CONNECTOR | | | |
| | | | | CHECKED BY | DATE | MATERIAL NO. | | | |
| | | | | BBARKER | 2009/09/16 | DOCUMENT NO. | | | |
| | | | | APPROVED BY | DATE | SHEET NO. | | | |
| | | | | SMILLER | 2009/09/16 | 1 OF 6 | | | |
| | | | | ANGULAR ±1/2° | | MOLEX INCORPORATED | | | |
| | | | | DRAFT WHERE APPLICABLE MUST REMAIN WITHIN DIMENSIONS | | SD-74441-004 | | | |
| | | | | SEE TABLE | | THIS DRAWING CONTAINS INFORMATION THAT IS PROPRIETARY TO MOLEX INCORPORATED AND SHOULD NOT BE USED WITHOUT WRITTEN PERMISSION | | | |

12 11 10 9 8 7 6 5 4 3 2 1

13 12 11 10 9 8 7 6 5 4 3 2 1

SALES ASSEMBLY DRAWINGS FOR SMALL FORM-FACTOR AND Z AXIS PLUGGABLE CONNECTORS

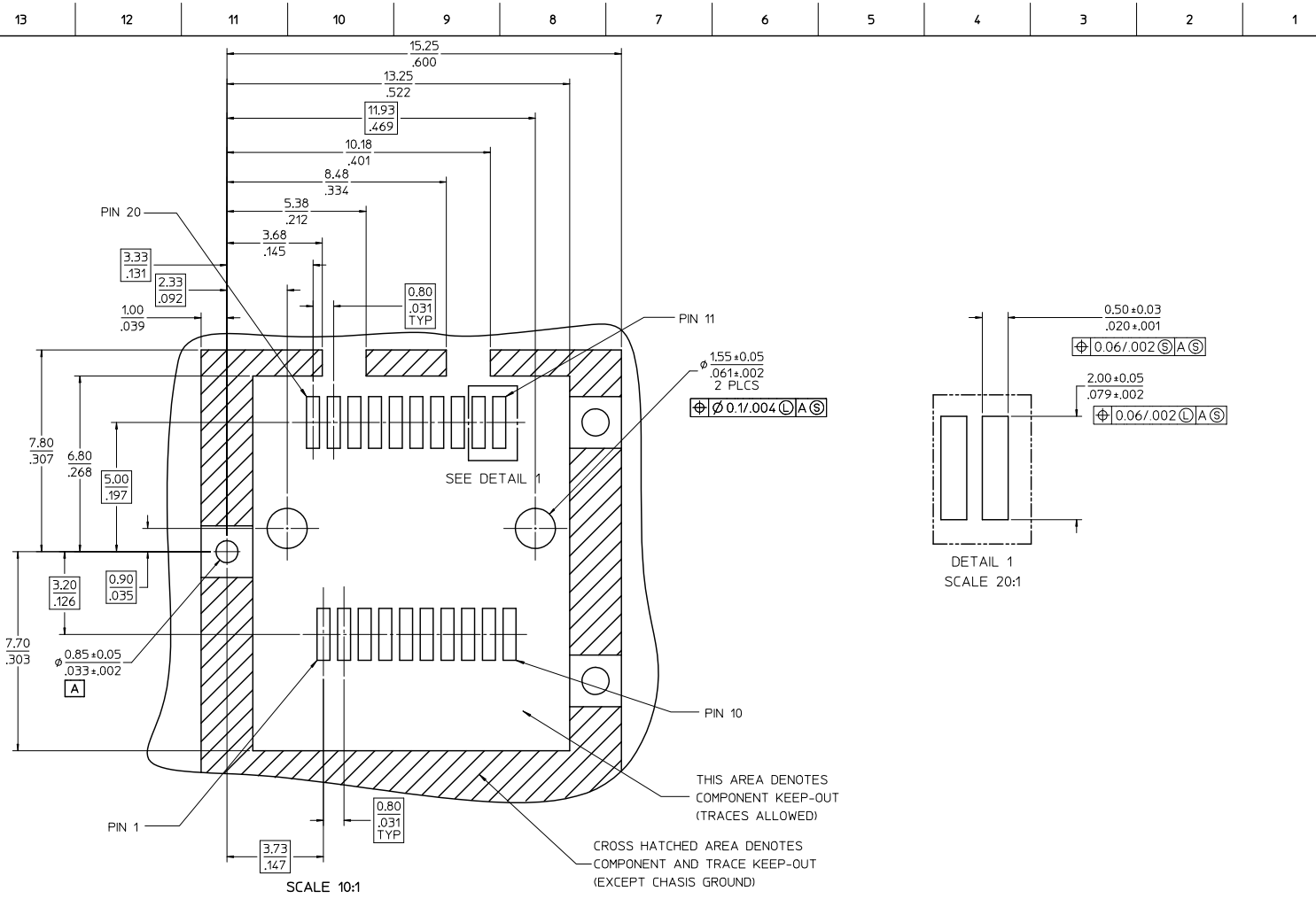


| CIRCUIT SIZE | MSA | CONNECTOR DRAWING | CIRCUIT BOARD DRAWING |
|--------------|----------------------|-------------------|-----------------------|
| 20 | SFP | PAGE 2 | PAGE 3 |
| 30 | XFP | PAGE 2 | PAGE 4 |
| 40 | | PAGE 2 | PAGE 5 |
| 70 | XENPAK XPAK X2 | PAGE 2 | PAGE 6 |

| | | | | | | | | |
|--|--------------------------------------|---------------------------------------|------------|---|------------|---|-------------|--|
| INITIAL RELEASE EC NO. UCP2010-0714 2009/09/16 DRAWN BY MSIBARRA 2009/09/14 CHECKED BY BBARKER 2009/09/14 APPR. BY MILLER 2009/09/14 | QUALITY SYMBOLS ∇=0 ∇=0 ∇=0 | GENERAL TOLERANCES (UNLESS SPECIFIED) | | DIMENSION STYLE | SCALE | DESIGN UNITS | THIRD ANGLE | |
| | | | | MM/IN | 1:1 | METRIC | PROJECTION | |
| | | 4 PLACES ±---- | ±---- | DRAWN BY | DATE | TITLE | | |
| | | 3 PLACES ±---- | ±---- | MSIBARRA | 2009/09/16 | SALES ASSEMBLY- LEADFREE Z AXIS PLUGGABLE PCB CONNECTOR | | |
| 2 PLACES ±---- | ±---- | CHECKED BY | DATE | MOLEX INCORPORATED | | | | |
| 1 PLACE ±---- | ±---- | BBARKER | 2009/09/16 | MATERIAL NO. DOCUMENT NO. SHEET NO. | | | | |
| ANGULAR ±1/2° | | APPROVED BY | DATE | SD-74441-004 | | 2 OF 6 | | |
| DRAFT WHERE APPLICABLE MUST REMAIN WITHIN DIMENSIONS | | MILLER | 2009/09/16 | THIS DRAWING CONTAINS INFORMATION THAT IS PROPRIETARY TO MOLEX INCORPORATED AND SHOULD NOT BE USED WITHOUT WRITTEN PERMISSION | | | | |

12 11 10 9 8 7 6 5 4 3 2 1

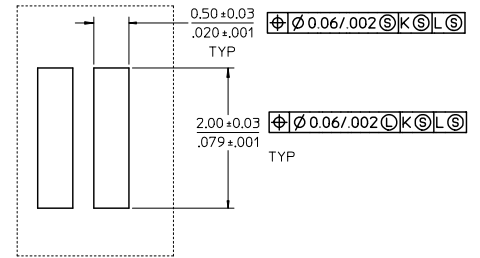
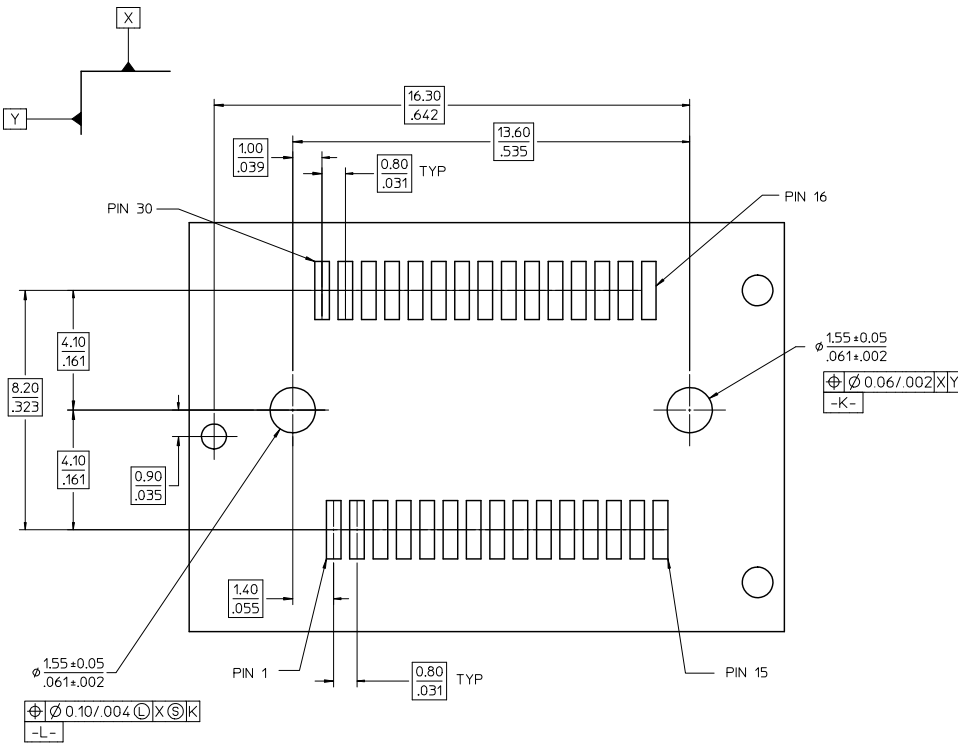
1b_frame_C_P_AM_T
Rev. F 2009/06/18



20 CIRCUIT MOTHER BOARD
RECOMMENDED PCB LAYOUT

| | | | | | | | | |
|---|--------------------------------------|--|------|---|--------------|--------------|---|--|
| INITIAL RELEASE EC NO. ICP2010-0714 DRAWN BY MS IBARRA 2009/09/16 CHECKED BY CHICK BARKER 2009/09/16 APPROVED BY SMILLER 2009/09/16 | QUALITY SYMBOLS ∇=0 ∇=0 ∇=0 | GENERAL TOLERANCES (UNLESS SPECIFIED) | | DIMENSION STYLE | SCALE | DESIGN UNITS | THIRD ANGLE PROJECTION | |
| | | mm | INCH | MM/IN | 8:1 | METRIC | ☉ | |
| | | 4 PLACES ± | ± | DRAWN BY | DATE | TITLE | SALES ASSEMBLY- LEADFREE Z AXIS PLUGGABLE PCB CONNECTOR | |
| | | 3 PLACES ± | ± | MS IBARRA | 2009/09/16 | | | |
| | | 2 PLACES ± | ± | CHECKED BY | DATE | | | |
| | | 1 PLACE ± | ± | CHICK BARKER | 2009/09/16 | | | |
| | | ANGULAR ±1/2° | | APPROVED BY | DATE | | | |
| | | DRAFT WHERE APPLICABLE MUST REMAIN WITHIN DIMENSIONS | | SMILLER | 2009/09/16 | | | |
| | | SEE TABLE | | MATERIAL NO. | DOCUMENT NO. | SHEET NO. | | |
| | | SIZE C | | | | 3 OF 6 | | |
| | | | | THIS DRAWING CONTAINS INFORMATION THAT IS PROPRIETARY TO MOLEX INCORPORATED AND SHOULD NOT BE USED WITHOUT WRITTEN PERMISSION | | | | |

13 12 11 10 9 8 7 6 5 4 3 2 1



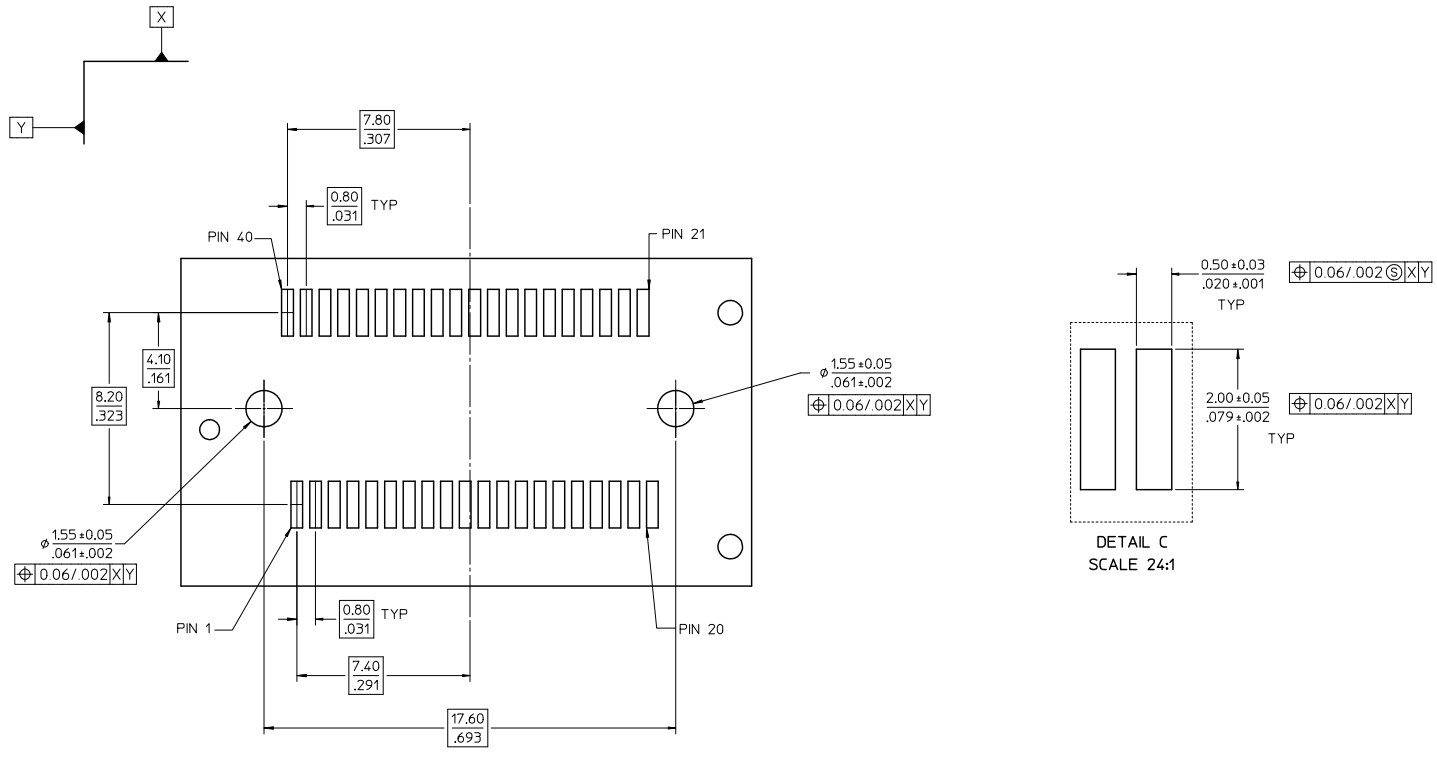
DETAIL B
SCALE 24:1

30 CIRCUIT MOTHER BOARD
RECOMMENDED PCB LAYOUT

| | | | | | | | | | |
|---|--------------------------------------|---|---------------------|--|--------------------|--|------------------------|---------------------------|--|
| INITIAL RELEASE EC NO: UCP2010-0714 DRAWN BY: MSIBARRA CHKD BY: BBARKER APPR: SMILLER | QUALITY SYMBOLS □=0 ▽=0 ▽=0 | GENERAL TOLERANCES (UNLESS SPECIFIED) | | DIMENSION STYLE MM/IN | | SCALE 6:1 | DESIGN UNITS METRIC | THIRD ANGLE PROJECTION | |
| | | 4 PLACES ± --- ± --- 3 PLACES ± --- ± --- 2 PLACES ± --- ± --- 1 PLACE ± --- ± --- | mm INCH | DRAWN BY MSIBARRA | DATE 2009/09/16 | TITLE SALES ASSEMBLY- LEADFREE Z AXIS PLUGGABLE PCB CONNECTOR | | | |
| | | ANGULAR ±1/2° | | CHECKED BY BBARKER | DATE 2009/09/16 | APPROVED BY SMILLER | | | |
| DRAFT WHERE APPLICABLE MUST REMAIN WITHIN DIMENSIONS | MATERIAL NO. SEE TABLE | DOCUMENT NO. SD-74441-004 | SHEET NO. 4 OF 6 | THIS DRAWING CONTAINS INFORMATION THAT IS PROPRIETARY TO MOLEX INCORPORATED AND SHOULD NOT BE USED WITHOUT WRITTEN PERMISSION | | | | | |

12 11 10 9 8 7 6 5 4 3 2 1

13 12 11 10 9 8 7 6 5 4 3 2 1

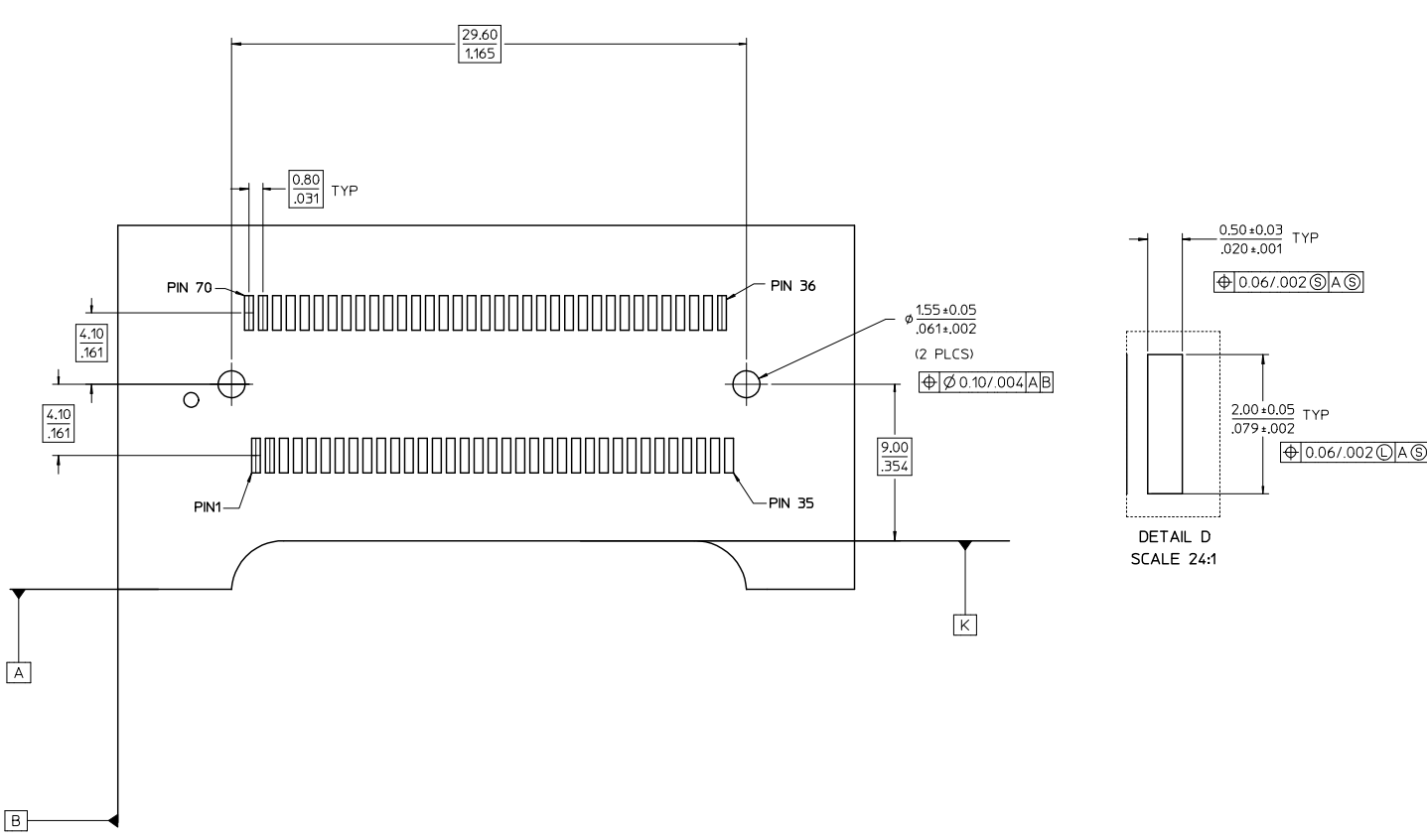


40 CIRCUIT MOTHER BOARD
RECOMMENDED PCB LAYOUT

| | | | | | | | | |
|--|--------------------------------------|---|------------|------------------------------|--------------------|--|------------------------|---------------------------|
| INITIAL RELEASE EC NO: UCP2010-0714 2009/09/16 DRAWN BY: MSIBARRA 2009/09/16 CHECKED BY: BBARKER 2009/09/16 APPR: SMILLER 2009/09/16 | QUALITY SYMBOLS ∇=0 ∇=0 ∇=0 | GENERAL TOLERANCES (UNLESS SPECIFIED) | | DIMENSION STYLE MM/IN | | SCALE 6:1 | DESIGN UNITS METRIC | THIRD ANGLE PROJECTION |
| | | 4 PLACES ±--- ±--- 3 PLACES ±--- ±--- 2 PLACES ±--- ±--- 1 PLACE ±--- ±--- | mm INCH | DRAWN BY MSIBARRA | DATE 2009/09/16 | TITLE SALES ASSEMBLY- LEADFREE Z AXIS PLUGGABLE PCB CONNECTOR | | |
| DRAFT WHERE APPLICABLE MUST REMAIN WITHIN DIMENSIONS | | SEE TABLE | | MATERIAL NO. SD-74441-004 | | DOCUMENT NO. SD-74441-004 | | SHEET NO. 5 OF 6 |
| THIS DRAWING CONTAINS INFORMATION THAT IS PROPRIETARY TO MOLEX INCORPORATED AND SHOULD NOT BE USED WITHOUT WRITTEN PERMISSION | | | | | | | | |

12 11 10 9 8 7 6 5 4 3 2 1

13 12 11 10 9 8 7 6 5 4 3 2 1



DETAIL D
SCALE 24:1

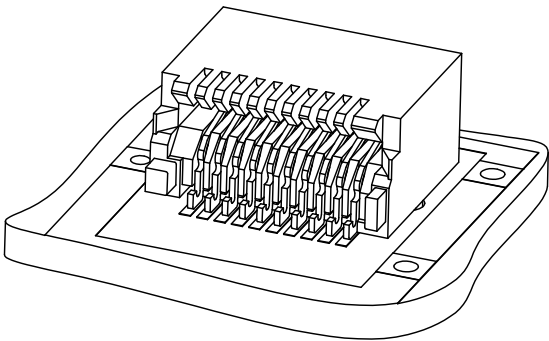
70 CIRCUIT MOTHER BOARD
RECOMMENDED PCB LAYOUT

| | | | | | | | | | | |
|--|--------------------------------------|--|------------|-----------------|--------------|--------------|---|------------------------|--|--|
| INITIAL RELEASE EC NO. LCP2010-0714 DRAWN BY MSIBARRA 2009/09/16 CHECKED BY CHAD BARKER 2009/09/16 APPR. BY SMILLER 2009/09/16 | QUALITY SYMBOLS ∇=0 ∇=0 ∇=0 | GENERAL TOLERANCES (UNLESS SPECIFIED) | | DIMENSION STYLE | | SCALE | DESIGN UNITS | THIRD ANGLE PROJECTION | | |
| | | | | MM/IN | | 6:1 | METRIC | | | |
| | | 4 PLACES ± | ± | MM/IN | DRAWN BY | DATE | TITLE | | | |
| | | 3 PLACES ± | ± | | MSIBARRA | 2009/09/16 | SALES ASSEMBLY- LEADFREE Z AXIS PLUGGABLE PCB CONNECTOR | | | |
| 2 PLACES ± | ± | | CHECKED BY | DATE | MATERIAL NO. | | | | | |
| 1 PLACE ± | ± | | BARKER | 2009/09/16 | DOCUMENT NO. | | | | | |
| ANGULAR ±1/2° | | DRAFT WHERE APPLICABLE MUST REMAIN WITHIN DIMENSIONS | | SEE TABLE | | SD-74441-004 | | SHEET NO. 6 OF 6 | | |
| THIS DRAWING CONTAINS INFORMATION THAT IS PROPRIETARY TO MOLEX INCORPORATED AND SHOULD NOT BE USED WITHOUT WRITTEN PERMISSION | | | | | | | | | | |

12 11 10 9 8 7 6 5 4 3 2 1

13 12 11 10 9 8 7 6 5 4 3 2 1

| CKT SIZE | PART NUMBER | TOOLED | DESCRIPTION | *A* | *B* | *C* | *D* | MULTI-SOURCE AGREEMENT | CONNECTOR DRAWING | CIRCUIT BOARD DRAWING |
|----------|-------------|--------|-------------------|-----------|------------|-----------|-----------|------------------------|-------------------|-----------------------|
| 20 | 74441-5001 | YES | PLATED PER NOTE 2 | 1,10/.043 | 11,00/.433 | 9,40/.370 | 9,60/.378 | SFP+ | PAGE 2 | PAGE 3 |
| | 74441-5010 | YES | PLATED PER NOTE 3 | 1,10/.043 | | | | | | |
| | | | | | | | | | | |
| | | | | | | | | | | |



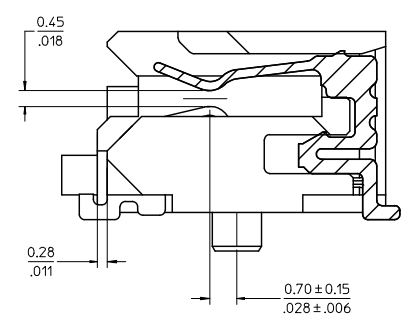
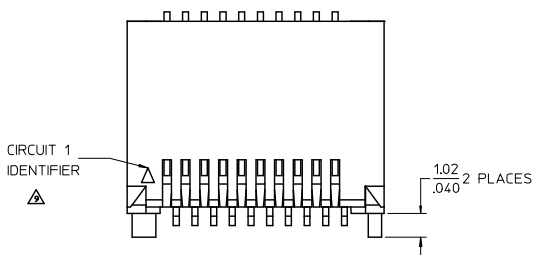
NOTES

- MATERIAL:
HOUSING - HIGH TEMPERATURE THERMOPLASTIC GLASS FILLED, UL 94V-0, BLACK
TERMINALS - COPPER ALLOY
- PLATING:
CONTACT AREA - 0.38 μm MIN GOLD OVER 2.54 μm MIN NICKEL
SOLDER FOOT AREA - 2.54 - 5.09 μm TIN OVER 2.54 μm MIN NICKEL.
- PLATING:
CONTACT AREA - 0.76 μm MIN GOLD OVER 2.54 μm NICKEL
SOLDER AREA - 2.54 - 5.09 μm TIN OVER 2.54 μm MIN NICKEL
- PLATING:
CONTACT AREA - 0.76 μm MIN GOLD OVER 2.54 μm NICKEL; LUBRICATED
SOLDER AREA: GOLD FLASH OVER 2.54 μm MIN NICKEL.
- PLATING:
CONTACT AREA - 0.76 μm MIN GOLD OVER 2.54 μm NICKEL;
SOLDER AREA: GOLD FLASH OVER 2.54 μm MIN NICKEL.
- TERMINAL SOLDER FEET TO BE COPLANAR WITHIN 0.10/.004 FOR 20, 30 AND 40 CIRCUIT CONNECTORS
TERMINAL SOLDER FEET TO BE COPLANAR WITHIN 0.15/.006 FOR 70 CIRCUIT CONNECTOR
- * CONTACT PLANT FOR MORE INFORMATION
- DATE CODE: 4 DIGIT (3 DIGIT DATE, 1 DIGIT YEAR)
- CIRCUIT 1 IDENTIFIER LOCATED ON ALL PART NUMBERS

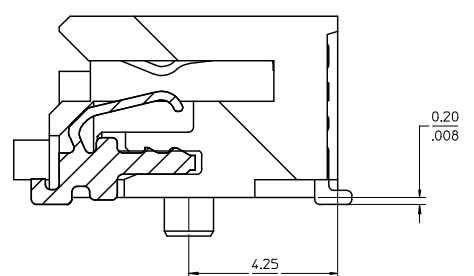
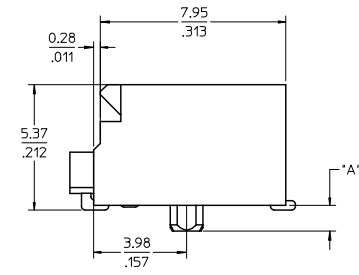
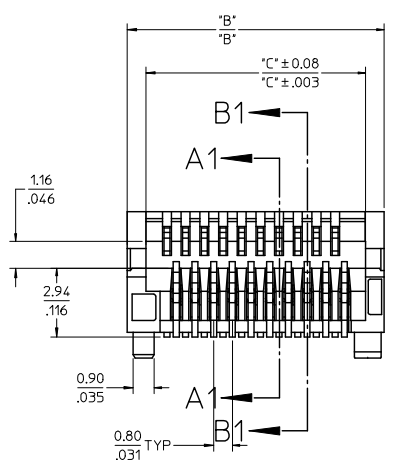
| | | | | | | | | | |
|---|-------------------------------|--|----------------------|---|--------------|---|--------------|------------------------|--|
| INITIAL RELEASE EC NO. UEP2007-0704 DRAWN BY: MSIBARRA 2007/01/23 CHECKED BY: CHFCBARKER 2007/01/27 APPROVED BY: JPBANKS 2007/08/08 | QUALITY SYMBOLS ▽=0 ▽=0 | GENERAL TOLERANCES (UNLESS SPECIFIED) | | DIMENSION STYLE | | SCALE | DESIGN UNITS | THIRD ANGLE PROJECTION | |
| | | mm | INCH | MM/IN | | 1:1 | METRIC | | |
| | | 4 PLACES ±.005 ±.005 | 3 PLACES ±.005 ±.005 | DRAWN BY | DATE | TITLE | | | |
| | | 2 PLACES ±.013 ±.010 | 1 PLACE ±.025 ±.010 | BBARKER | 2007/01/23 | SALES ASSEMBLY SFP PLUS HOST CONNECTOR 20 CIRCUIT | | | |
| | ANGULAR ±1/2° | | | CHECKED BY | DATE | MOLEX INCORPORATED | | | |
| | | | | MSIBARRA | 2007/01/23 | | | | |
| | | | | APPROVED BY | DATE | | | | |
| | | | | SMILLER | 2007/01/23 | | | | |
| | | DRAFT WHERE APPLICABLE MUST REMAIN WITHIN DIMENSIONS | | MATERIAL NO. | DOCUMENT NO. | | | SHEET NO. | |
| | | | | SEE TABLE | SD-74441-008 | | | 1 OF 3 | |
| | | | | THIS DRAWING CONTAINS INFORMATION THAT IS PROPRIETARY TO MOLEX INCORPORATED AND SHOULD NOT BE USED WITHOUT WRITTEN PERMISSION | | | | | |

12 11 10 9 8 7 6 5 4 3 2 1

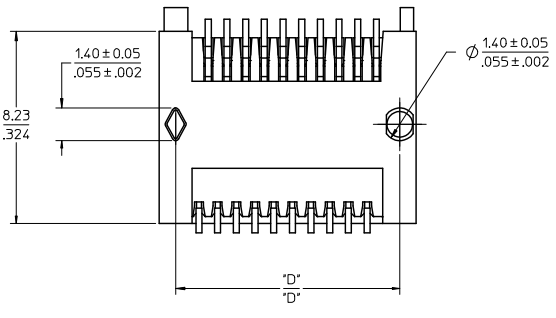
13 12 11 10 9 8 7 6 5 4 3 2 1



SECTION A1-A1
SCALE 12:1



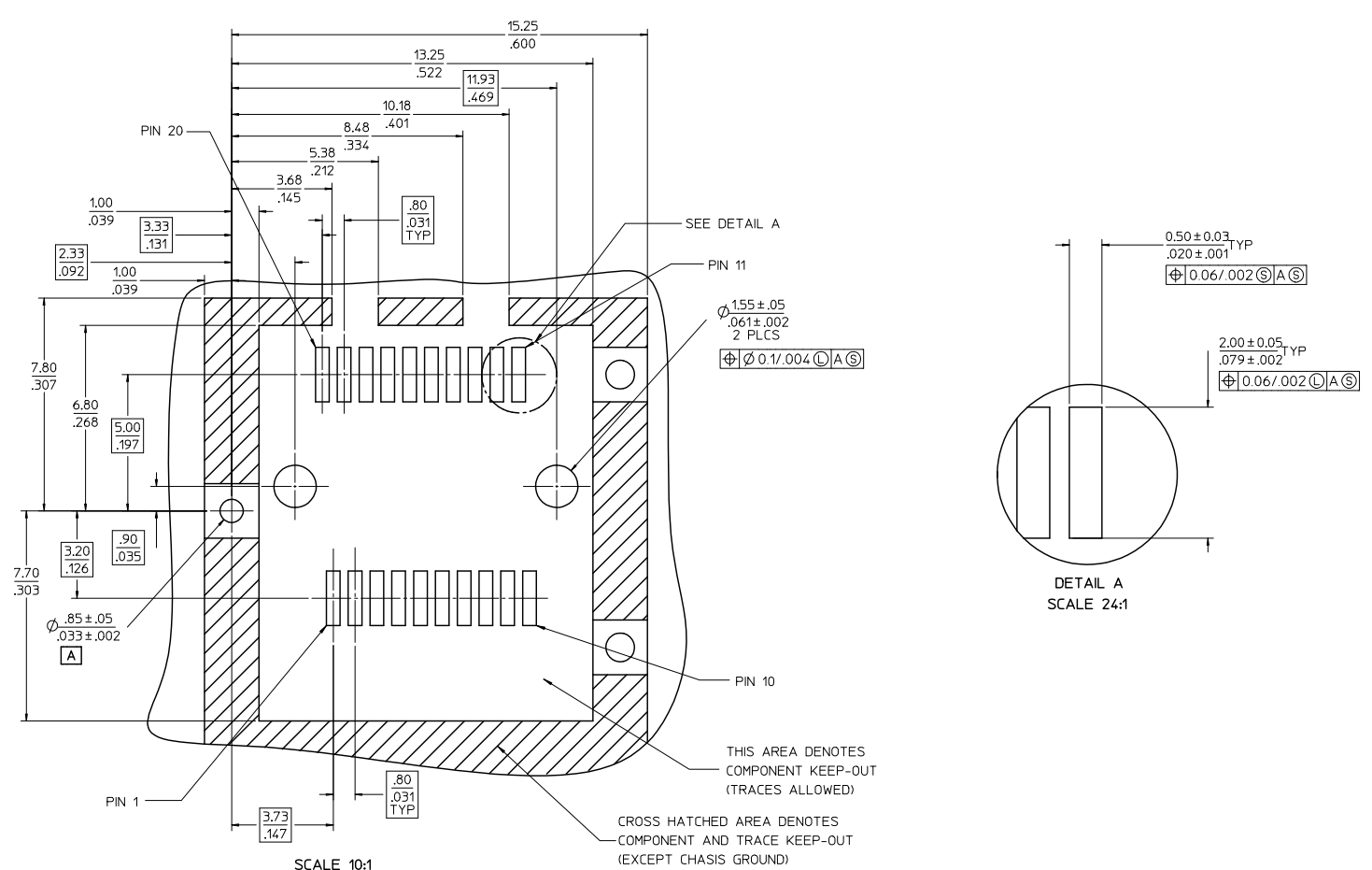
SECTION B1-B1
SCALE 12:1



| | | | | | | | | | |
|--|-------------------------------|---|------------|--------------------------------------|--------------------|--|------------------------|------------------------|--|
| INITIAL RELEASE EC NO. L1EP2007-0704 2007/07/24 DRAWN BY MSIBARRA 2007/07/27 CHECKED BY BBARKER 2007/08/08 APPR: JBANKS | QUALITY SYMBOLS ▽=0 ▽=0 | GENERAL TOLERANCES (UNLESS SPECIFIED) | | DIMENSION STYLE MM/IN | | SCALE 6:1 | DESIGN UNITS METRIC | THIRD ANGLE PROJECTION | |
| | | 4 PLACES ± --- ± --- 3 PLACES ± --- ± .005 2 PLACES ± 0.13 ± .010 1 PLACE ± 0.25 ± --- | mm INCH | DRAWN BY BBARKER 2007/01/23 | DATE 2007/01/23 | TITLE SALES ASSEMBLY SFP PLUS HOST CONNECTOR 20 CIRCUIT | | | |
| | | ANGULAR ± 1/2° | | APPROVED BY SMILLER 2007/01/23 | DATE 2007/01/23 | MOLEX INCORPORATED | | | |
| | | DRAFT WHERE APPLICABLE MUST REMAIN WITHIN DIMENSIONS | | MATERIAL NO. SEE TABLE | | DOCUMENT NO. SD-74441-008 | | SHEET NO. 2 OF 3 | |

12 11 10 9 8 7 6 5 4 3 2 1

13 12 11 10 9 8 7 6 5 4 3 2 1



20 CIRCUIT MOTHER BOARD
RECOMMENDED PCB LAYOUT

| | | | | | | | | | |
|--|-------------------------------|---------------------------------------|----|---|------------------------------|---------------------|--|------------------------|--|
| INITIAL RELEASE EC NO. LCE2007-0704 DRWINIBARRA 2007/01/23 CHFCBARKER 2007/01/27 APPR:MSBANKS 2007/08/08 | QUALITY SYMBOLS ▽=0 ▽=0 | GENERAL TOLERANCES (UNLESS SPECIFIED) | | DIMENSION STYLE MM/IN | | SCALE 8:1 | DESIGN UNITS METRIC | THIRD ANGLE PROJECTION | |
| | | 4 PLACES ± --- ± --- | mm | INCH | DRAWN BY BBARKER | DATE 2007/01/23 | TITLE SALES ASSEMBLY SFP PLUS HOST CONNECTOR 20 CIRCUIT | | |
| | | 3 PLACES ± --- ± .005 | | | CHECKED BY MSIBARRA | DATE 2007/01/23 | MOLEX INCORPORATED | | |
| | | 2 PLACES ± 0.13 ± .010 | | | APPROVED BY SMILLER | DATE 2007/01/23 | | | |
| 1 PLACE ± 0.25 ± --- | | ANGULAR ± 1/2° | | MATERIAL NO. SEE TABLE | DOCUMENT NO. SD-74441-008 | SHEET NO. 3 OF 3 | | | |
| DRAFT WHERE APPLICABLE MUST REMAIN WITHIN DIMENSIONS | | | | THIS DRAWING CONTAINS INFORMATION THAT IS PROPRIETARY TO MOLEX INCORPORATED AND SHOULD NOT BE USED WITHOUT WRITTEN PERMISSION | | | | | |

12 11 10 9 8 7 6 5 4 3 2 1