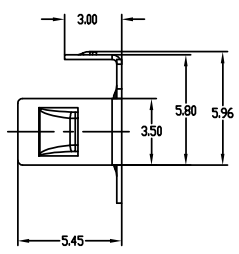
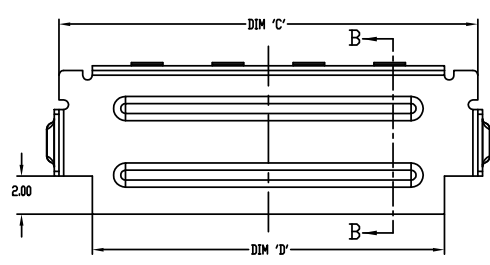
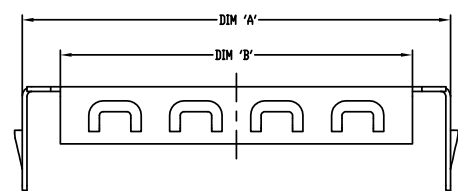
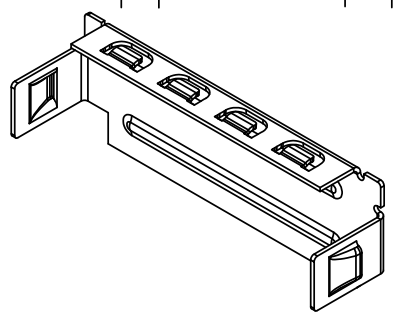
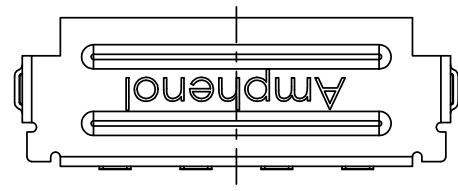


8 7 6 5 4 3 2 1

REVISIONS			
REV.	DESCRIPTION	DATE	APPROVED
A	PROPOSAL		
B	ADD FAMILY DRAWING DIMENSION	2004/05/26	
C	ADD NOTE	2004/06/10	



PART NUMBER	DIM 'A'	DIM 'B'	DIM 'C'	DIM 'D'
U65-404-60-P	22.50	18.50	22.00	18.50
U65-412-60-P	46.50	42.50	46.00	42.50

- NOTE:
- MATERIAL: STAINLESS STEEL AISI 301(1/2 HARD), 0.25±0.013 mm THICK. FINISH: NATURAL.
  - PART TO BE BULK PACKAGED.

DO NOT SCALE DRAWING  
 THIS DOCUMENT CONTAINS PROPRIETARY INFORMATION AND SUCH INFORMATION MAY NOT BE DISCLOSED TO OTHERS FOR ANY PURPOSE OR USED FOR MANUFACTURING PURPOSES WITHOUT PERMISSION FROM AMPHENOL CANADA CORP.

UNLESS OTHERWISE SPECIFIED DIMENSIONS ARE IN MILLIMETERS	APPROVALS	DATE	Amphenol Canada Corp.	
TOLERANCES ARE:	DRAWN	J.SI	2004/05/12	TITLE
DECIMALS 2 1"	DESIGNED	J.SI	2004/05/12	REAR COVER
FRACTIONS 0.15	CHECKED			INFINIBAND RECEPTACLE
ANGLES 0.10	BY APPD			
SEE NOTE 1				
REV. EARR 12444	BY APPD		SIZE A3	P-U65-4XX-60-P
DATE DRAWN: 03554	BY APPD		SCALE 5 = 1	PROJECT SHEET 1 OF 1

8 7 6 5 4 3 2 1