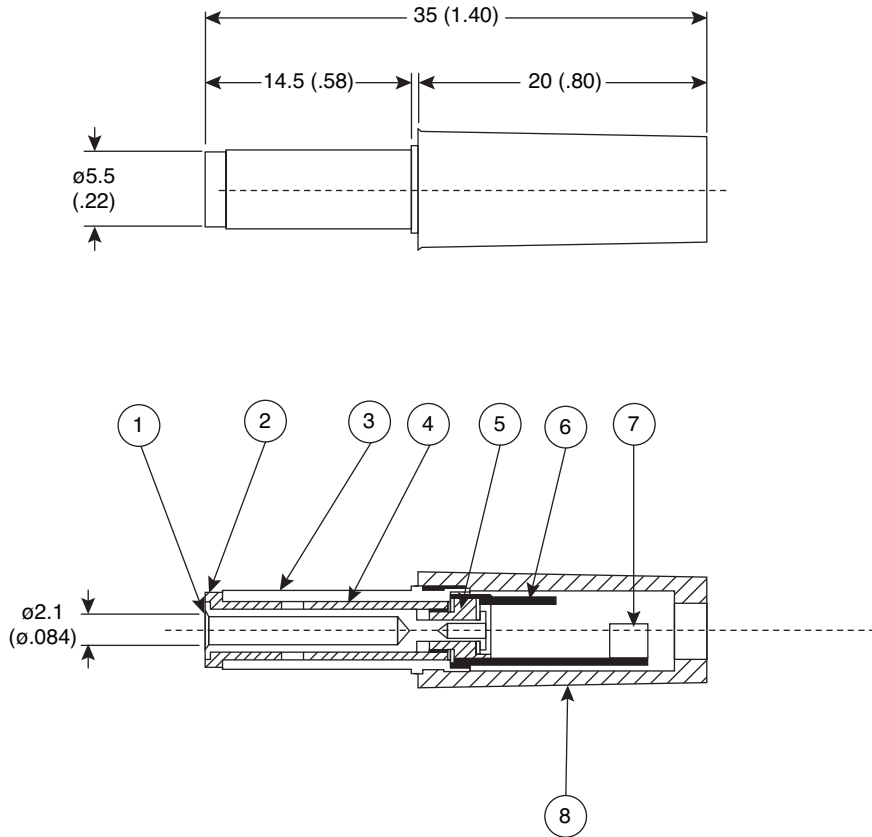


DC Power Plug

171-2122-EX



DC Power Plug



Dimensions: mm (in.)

SPECIFICATIONS	
Rating:	DC12V 1A
Dielectric Strength:	500V AC for 1 minute
Insulation Resistance:	100M Ω min at 500V DC
RoHS Compliant by Exemption	

No.	Name	Materials	Finish
1.	Center Pin	Brass	Ni
2.	Insulator A	A.B.S.	-
3.	Sleeve	Brass	Ni
4.	Insulator B	P.V.C.	-
5.	Insulator C	P.C.	-
6.	Terminal A	Brass	Ni
7.	Terminal B	Brass	Ni
8.	Handle	ABS	-

Date Last Revised: 6-19-07

Available from Mouser Electronics
1-800-346-6873 / www.mouser.com

KC- 301066

171-2122-EX

Specifications are subject to change without notice. No liability or warranty implied by this information. Environmental compliance based on producer documentation.