

RoHS



## KLDHCX Series

### High Current PCB Mount DC Power Jack

### Features

- 2.0mm and 2.5mm
- Built in DC On/Off Switch
- Laptop and Palm Computers, Portable Modems, Radar Detectors, and Other Portable Device Applications

### Performance Specifications

#### Materials and Finish

**Body** : PBT Thermoplastic, UL 94V-0 Rated, Color Black  
**Center Pin** : Brass, Nickel Plated  
**Contact #1** : Brass, Tin Plated  
**Contact #2** : Phosphor Bronze, Tin plated  
**Contact #3** : Brass, Tin Plated

#### Electrical Characteristics

**Rated Current** : 5A  
**Rated Voltage** : 16VRMS  
**Insulation Resistance** : 50 Megohms Min. at  
 100 or 200V DC for 1 Minute  
**Contact Resistance** : 30 Milliohms Max.  
**Dielectric Withstanding Voltage**: 250V AC Min. for 1 Minute

#### Mechanical Characteristics

**Durability Test** : 5000 Cycles  
**Insertion Force** : 3.0kg Max.  
**Extraction Force** : 0.3kg Min.

## DC POWER CONNECTORS

### KLDHCX Series

### Ordering Information



#### Series

KLDHCX-0202 - High Current PCB Mount DC Power Jack

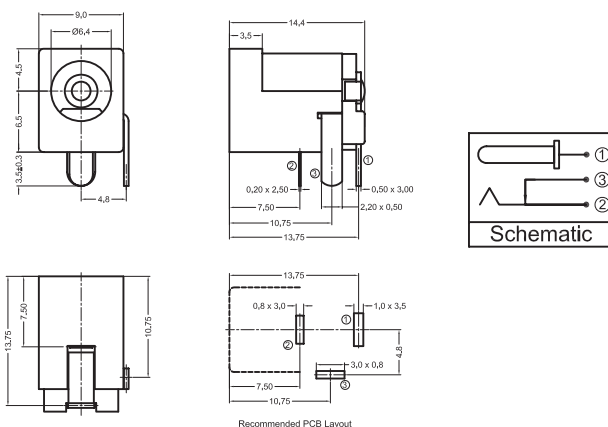
#### Diameter

A - 2.0mm Center Pin Diameter  
 B - 2.5mm Center Pin Diameter

#### Lead Style

Blank - Standard Straight  
 C - Crimped

#### KLDHCX-0202-x



#### KLDHCX-0202-xC

