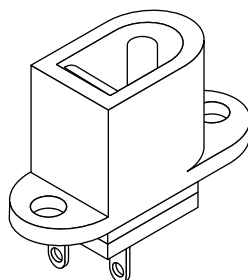


# DC Power Jack

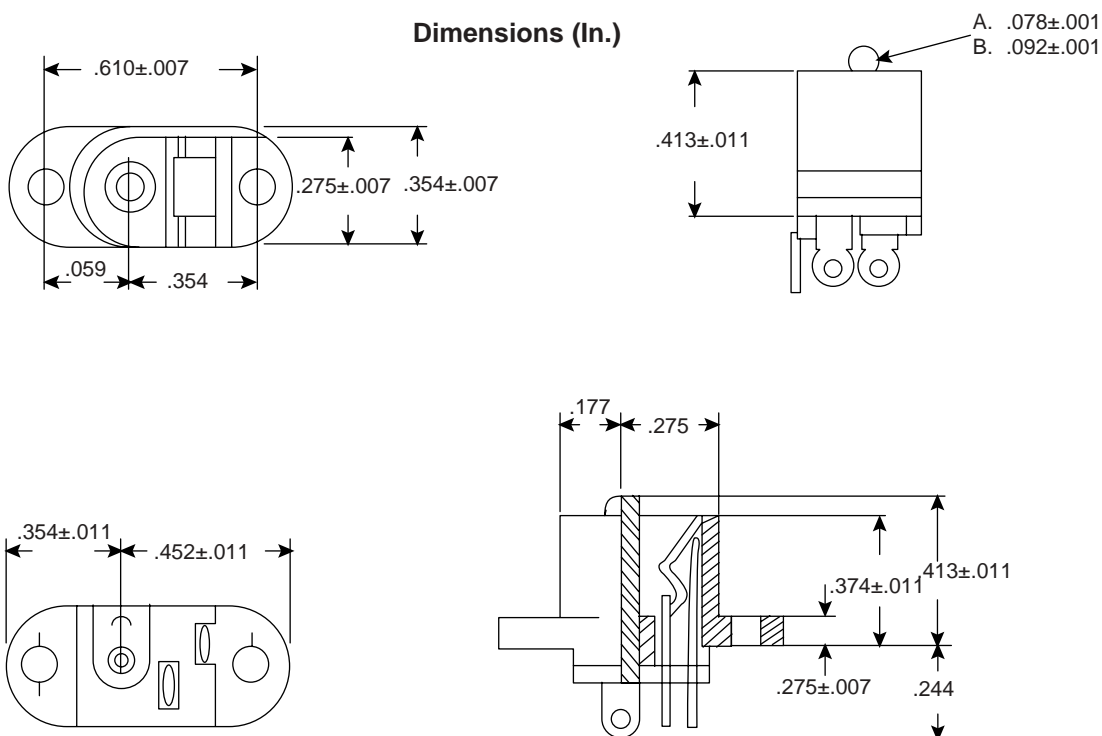
16PJ221, 16PJ222



DC Power Jack



### Dimensions (In.)



### SPECIFICATIONS

<b>Withstanding voltage:</b>	1 minute @ 250VAC
<b>Insulation resistance:</b>	more than 50MΩ @ 250VAC
<b>Contact resistance:</b>	less than 30mΩ
<b>Insertion:</b>	0.5-2.0 Kgs
<b>Life:</b>	more than 10,000 cycles
<b>Plastic:</b>	Duracon
<b>Rating:</b>	DC 12V 0.5A max.
<b>16PJ222</b>	2.1mm Panel mount DC jack w/ NC Switch
<b>16PJ221</b>	2.5mm Panel mount DC jack w/ NC Switch

Date Last Revised: 4-6-04

Available from Mouser Electronics  
1-800-346-6873  
www.mouser.com

KC- 300015

16PJ221, 16PJ222