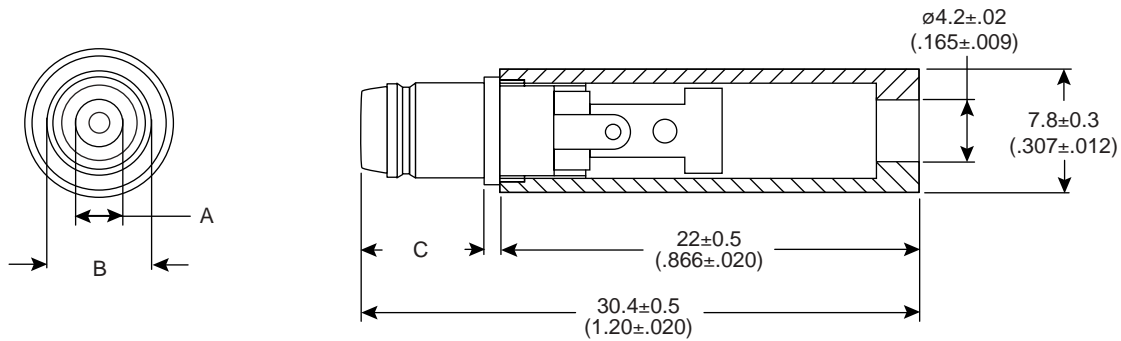


# Locking DC Power Plug

1710-2532, 1710-2132

**KOBI**CONN

Locking DC Power Plug



Dimensions: mm (IN)

Mouser Stock No.	Dimensions (mm)			Housing Color
	A	B	C	
1710-2132	2.1	5.5	7.5	Black
1710-2532	2.5	5.5	7.5	Black

SPECIFICATIONS	
Plastic:	ABS
Cover:	Bakelite
Contacts:	Nickel Plated Copper
Insulation Resistance:	100MΩ @ 500VDC
Rating:	12VDC 1A
Thread Size & Pitch:	M6X0.5 mm

Date Last Revised: 10-6-04

Available from Mouser Electronics  
1-800-346-6873  
www.mouser.com

KC-300109

1710-2532, 1710-2132