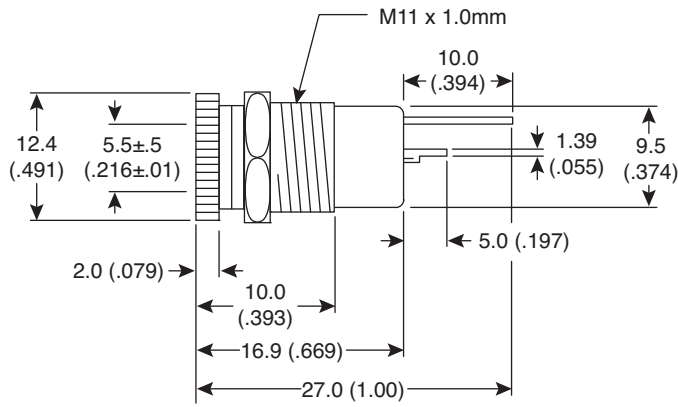
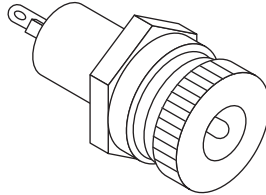


Jacks

163-4021, 163-4025



Jacks



DIMENSIONS: mm (in.)
(except where noted)

| SPECIFICATIONS | |
|----------------------------------|---|
| Type: | Chassis mount DC power w/solder lugs |
| Rating: | 100VDC 2A |
| Insulation resistance: | 50MΩ min. @ 100VDC |
| Contact resistance: | 30mΩ max. |
| Dielectric strength: | 250VAC for 1 minute |
| "L" lug, contact pin, nut, body: | Nickel plated brass |
| Spring: | Nickel plated phosphor bronze |
| Insulator: | Delrin |
| Mounting hole: | ø.445±.028" |
| Pin size: | ø2.0 ± 0.5mm(163-4021), ø2.4 ± 0.5mm(163-4025) |
| Max panel thickness: | 5mm |

Date Last Revised: 6/17/09

Available from Mouser Electronics
1-800-346-6873
www.mouser.com

KC-300372

163-4021, 163-4025

Specifications are subject to change without notice. No liability or warranty implied by this information. Environmental compliance based on producer documentation.