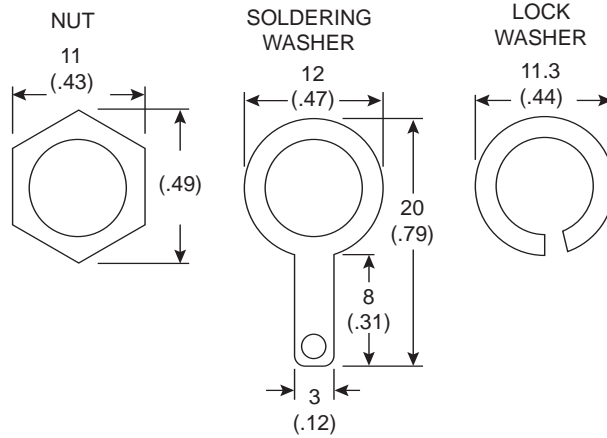
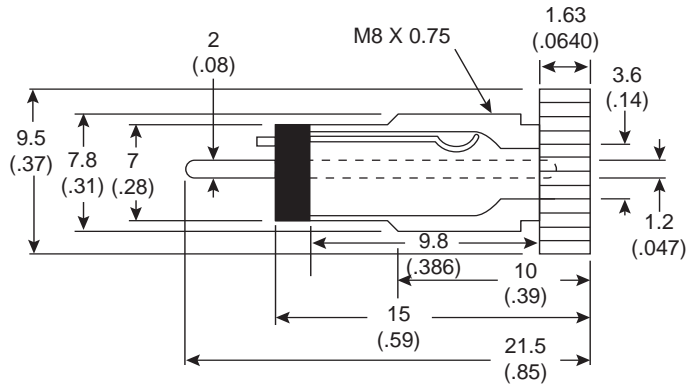
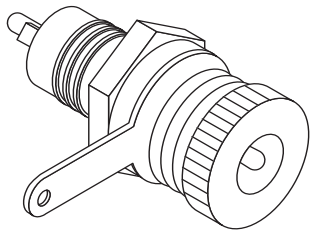


DC Power Jack

163-4013



DC Power Jack



Dimensions: In.

SPECIFICATIONS	
Body & Pin:	Nickel plated brass
Spring:	Nickel plated phosphor bronze
Insulator:	ABS
Voltage Rating:	15VDC max.
Current Rating:	3A
Breakdown Voltage:	500VAC

Date Last Revised: 12-16-04

Available from Mouser Electronics
1-800-346-6873
www.mouser.com

KC- 300228

163-4013