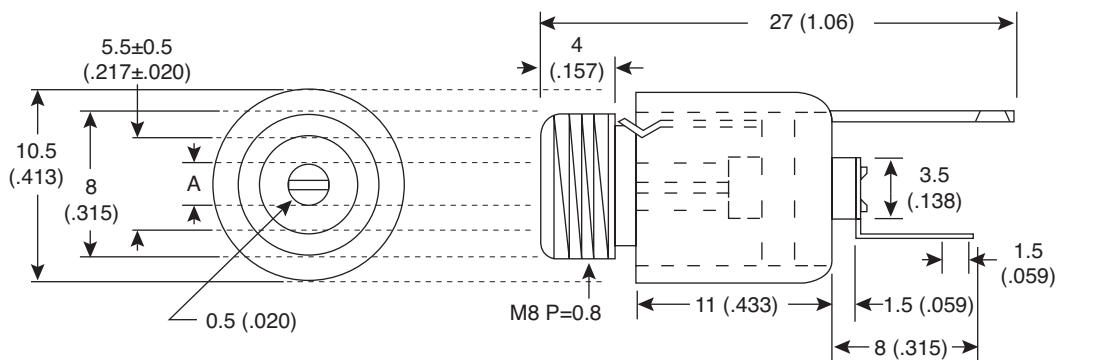


Ring Lock DC Power Jacks

163-7421, 163-7425

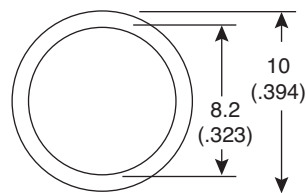
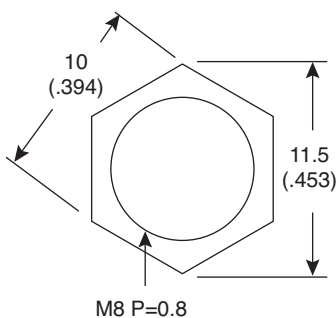


Ring Lock DC Power Jacks



Tolerance: A = 0.05 (.002)

A	ø2.0	.079	163-7421
	ø2.35	.093	163-7425



DIMENSIONS: mm (In.)

SPECIFICATIONS	
Contact pin:	nickel plated brass
Contacts:	nickel phosphor bronze
Washer:	nickel plated steel
Nut:	nickel plated brass
Body:	nickel plated brass
Insulation:	delrin
Electrical:	3.15-13.5V DC, 2A
Maximum Panel Thickness:	1-3mm

Date Last Revised: 4-26-06

Available from Mouser Electronics
1-800-346-6873
www.mouser.com

KC-300389

163-7421, 163-7425