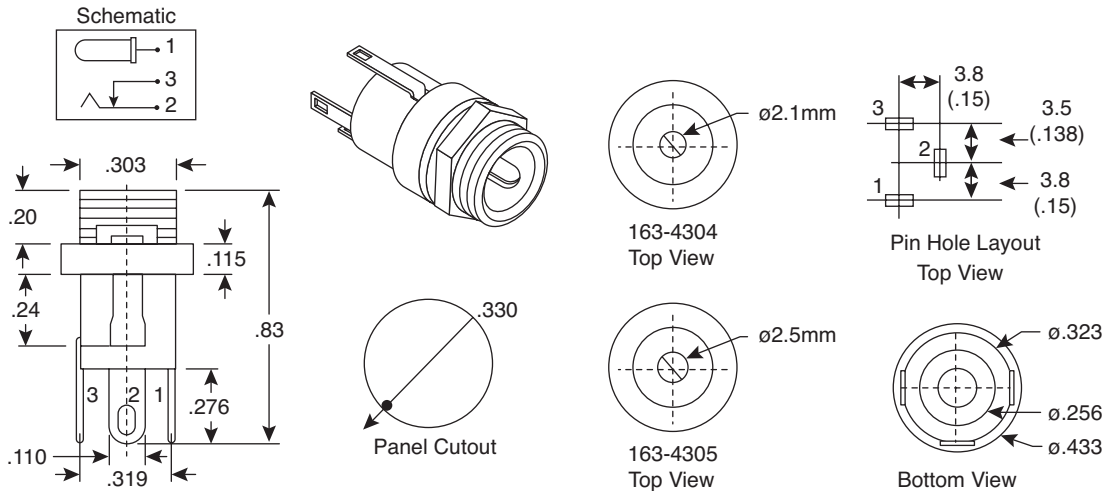


Jacks

163-4304, 163-4305



Jacks



DIMENSIONS: mm and (In.)

SPECIFICATIONS	
Type:	DC power, split pin w/NC switch, chassis/panel mount
Life:	10,000 insertion/withdrawal cycles min.
Insertion force:	3lb. max.
Withdrawal force:	4oz. min.
Mating plug O.D.:	5.5mm
Thread size:	ø8 x .75mm
Contact resistance:	30m Ω max.
Insulation resistance:	100M Ω @ DC500V
Dielectric withstand voltage:	500VAC max.
Contact rating:	12VDC 3A
Washer:	Nickel plated steel; .315" I.D, .394" O.D.
Nut:	Nickel plated brass; .065" thick, .374" across the flats
Bushing:	Nickel plated brass
Center pin, spring, contacts:	Silver plated brass
Body:	Thermoplastic
Body color:	Black
Insulators:	Vulcanized fiber sheet
Max Panel Thickness:	1-3mm
Isolated	

Date Last Revised: 10-25-07

Available from Mouser Electronics
1-800-346-6873 / www.mouser.com

KC-300371

163-4304, 163-4305

Specifications are subject to change without notice. No liability or warranty implied by this information. Environmental compliance based on producer documentation.