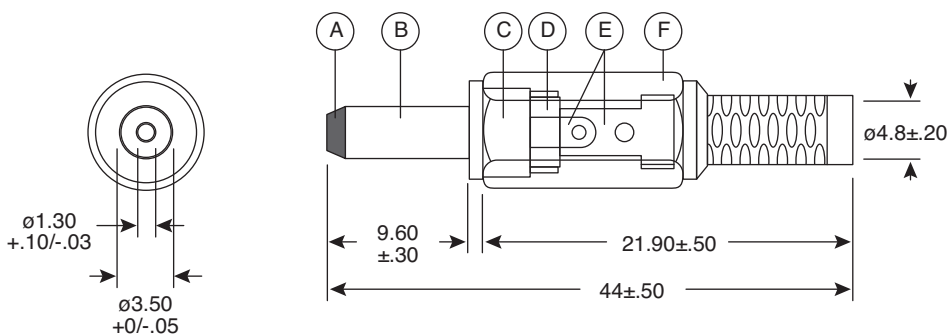
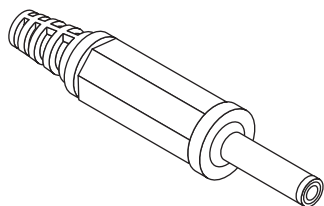


# 1.3mm DC Power Plug

1710-1321



1.3mm DC Power Plug



Dimensions: mm

## SPECIFICATIONS

<b>Description:</b>	Barrel .051" x .133" x .383"
<b>Color:</b>	Black With Relief

## ELECTRICAL SPECIFICATIONS

<b>DC Power Rating:</b>	.5A @ 12VDC
<b>Withstand Voltage:</b>	500VAC min.
<b>Insulation Resistance:</b>	50M $\Omega$ min. @ 500VDC
<b>Contact Resistance:</b>	30m $\Omega$ max.
<b>Dielectric Strength:</b>	500VAC for 1 Minute

## MATERIALS

<b>A</b>	Insulator (1): ABS Black
<b>B</b>	Tube (1): Brass Nickel
<b>C</b>	Head (1): Brass Nickel
<b>D</b>	Insulator (1): Nylon+Fiber Black
<b>E</b>	Terminal (2): Brass Nickel
<b>F</b>	Shell (1): LDPE Black

Date Last Revised: 6/12/09

Available from Mouser Electronics  
1-800-346-6873 / [www.mouser.com](http://www.mouser.com)

KC-300467

Specifications are subject to change without notice. No liability or warranty implied by this information. Environmental compliance based on producer documentation.

1710-1321