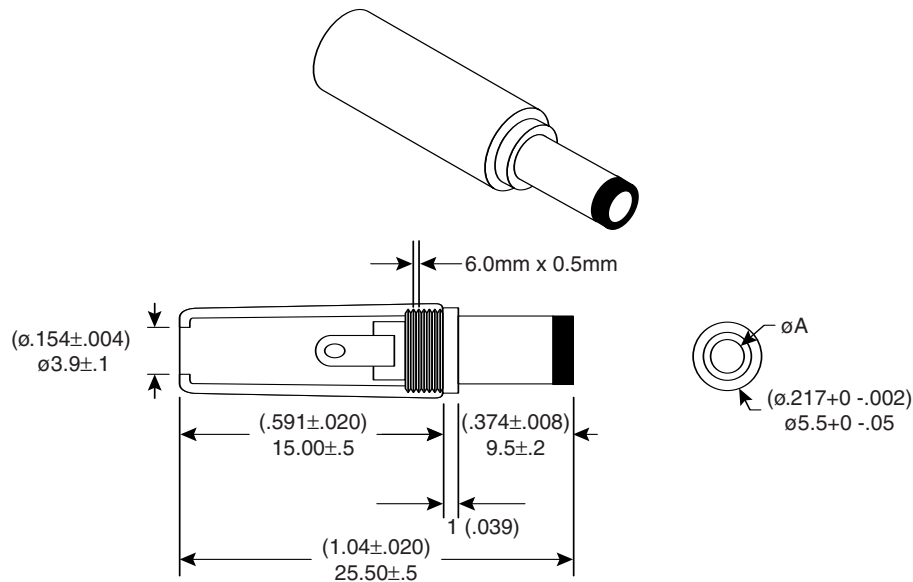


# DC Power Plugs



1710-2110, 1710-2112, 1710-2510, 1710-2511

DC Power Plugs



Dimensions: In.  
(except where noted)

SPECIFICATIONS	
Type:	DC power
A:	.079+.004 -.001"/2.0+.1 -.03mm(1710-2110, 1710-2112) .098+.004 -.001"/2.5+.1 -.03mm(1710-2510, 1710-2511)
Handle color:	black (1710-2110, 1710-2510), gray (1710-2511, 1710-2112)
Inner barrel:	copper
Outer barrel, terminals:	nickel plated copper
Handle:	phenolic resin
Terminal insulator:	plastic
Maximum amp:	1.5 amp
Maximum voltage:	24V

Date Last Revised: 4-14-05

Available from Mouser Electronics  
1-800-346-6873  
www.mouser.com

KC-300473

1710-2110, 1710-2112, 1710-2510, 1710-2511