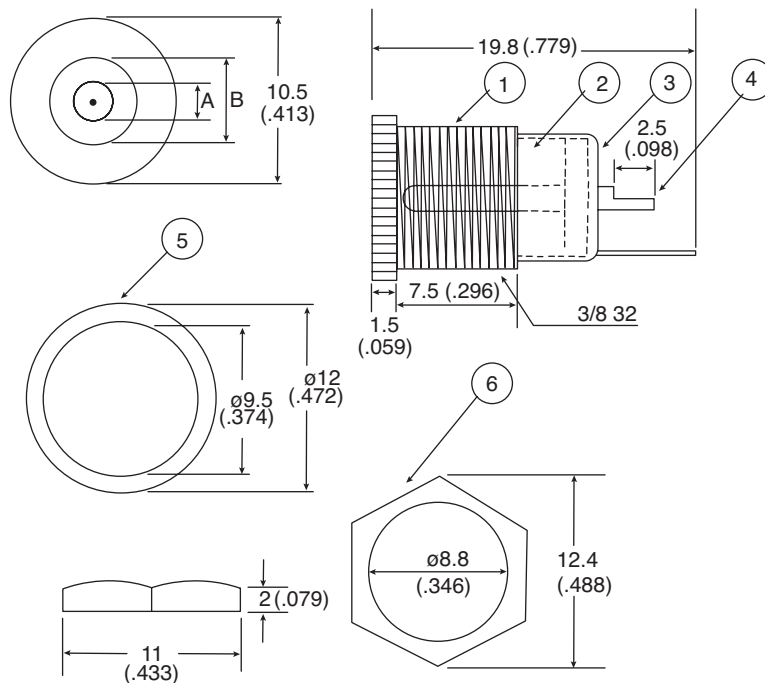


# Panel Mount DC Jack

163-4020, 163-4024



Panel Mount DC Jack



Dimensions: mm (In.)

Component	Material
1 <b>Body:</b>	BSBM Ni
2 <b>Spring Material:</b>	BSBM Ni
3 <b>Insulator:</b>	Derlin
4 <b>Contact Pin:</b>	BSBM Ni
5 <b>Spring Washer:</b>	Fe Ni
6 <b>Nut:</b>	BSBM Ni

SPECIFICATIONS	
<b>Tolerance:</b>	±0.05
<b>Cap:</b>	ABS
<b>Voltage Rating:</b>	DC 13.5V
<b>Current Rating:</b>	2A

Part No.	A	B	Type
<b>163-4020</b>	1.95 (.077)	5.5 (.217)	2.1mm
<b>163-4024</b>	2.35 (.093)	5.5 (.217)	2.5mm

Date Last Revised: 11-21-06

Available from Mouser Electronics  
1-800-346-6873  
www.mouser.com

KC-300072

163-4020, 163-4024