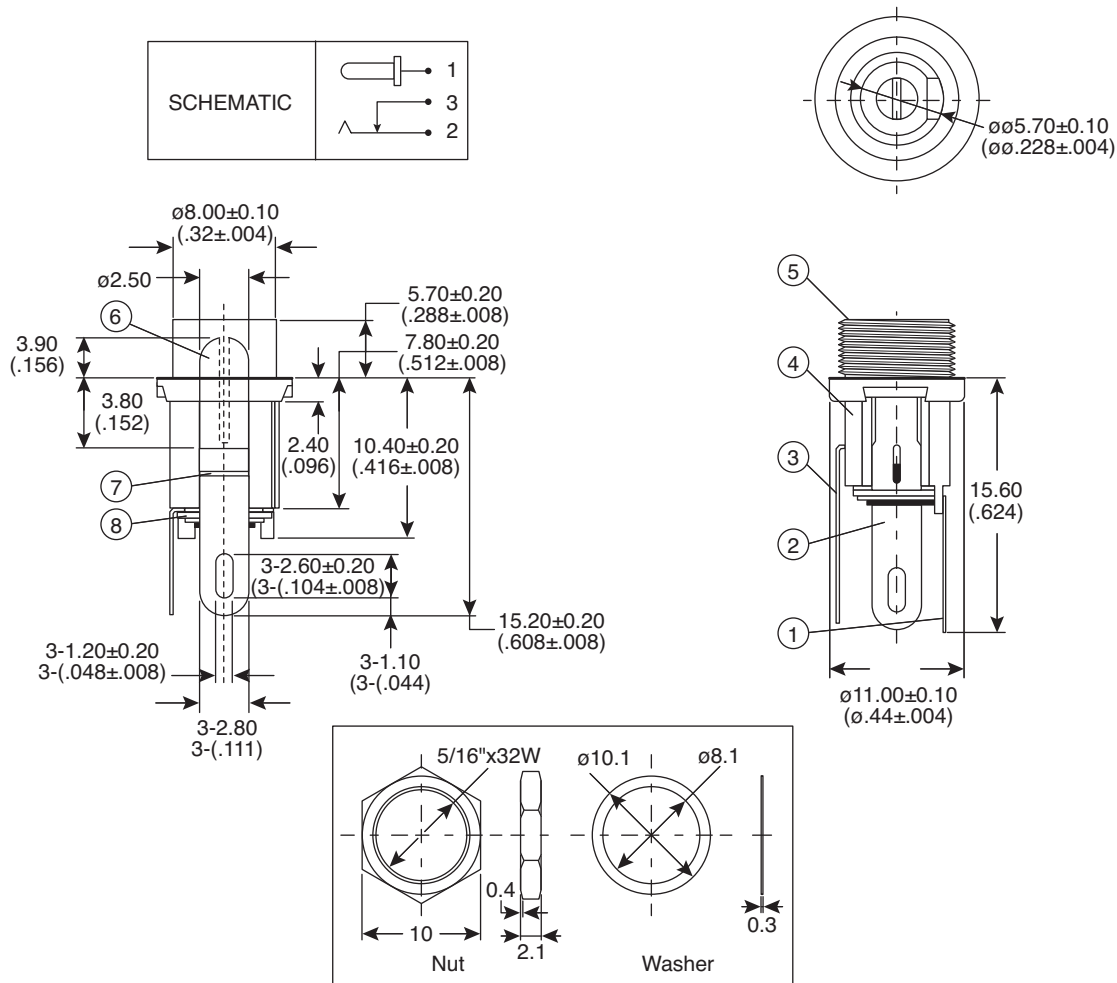


DC Power Jack 2.5mm

163-4305-E



DC Power Jack 2.5mm



Dimensions: mm (in.)

SPECIFICATIONS	
Contact resistance:	30mΩ max.
Insulation resistance:	100MΩ at DC 500V
Dielectric Withstand Voltage:	AC 500V for one minute
RoHS Compliant	

No.	Description	Material	Finish
1	Pin Terminal	0.3T Brass	Silver Plated
2	Sleeve Spring	0.4T Phosphor Bronze	Silver Plated
3	Break Terminal	0.3T Brass	Silver Plated
4	Housing	PBT	Black Color
5	Bushing	Brass	Nickel Plated
6	Pin (ø2.5)	Copper	Nickel Plated
7	Insulator A	Red Vulcanited Fibre	Red Color
8	Insulator B	Red Vulcanited Fibre	Red Color

Date Last Revised: 6/14/10

Available from Mouser Electronics
1-800-346-6873 / www.mouser.com

KC-301070

Specifications are subject to change without notice. No liability or warranty implied by this information. Environmental compliance based on producer documentation.

163-4305-E