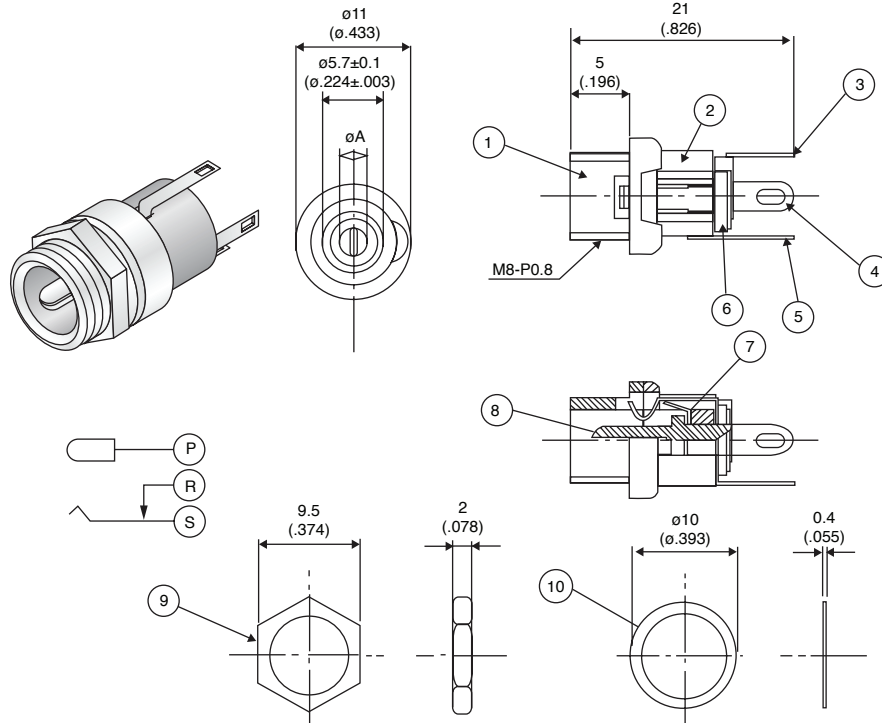


# DC Jacks

163-MJ21-EX, 163-MJ22-EX



DC Jacks



Dimensions: mm (in.)

A	
163-MJ21-EX	ø2±0.2
163-MJ22-EX	ø2.35±0.2

ELECTRICAL	
Rating:	MJ21 = DC12V 0.5A MJ22 = DC12V 1A
Contact Resistance:	30mΩ max.
Insulation Resistance:	DC250V/50mΩ min.
Withstand Voltage:	AC 250V 1 min.

MATERIAL SPECIFICATIONS			
10	Washer:	STEEL	Ni
9	Nut:	BSBM	Ni
8	Center Pin:	BSBM	Ag
7	Insulator B:	PF	
6	Insulator A:	PF	
5	Break Terminal:	BSR	Ag
4	Sleeve Spring:	BSR	Ag
3	Pin Terminal:	BSR	Ag
2	Housing:	ABS	
1	Bushing	BSBM	Ni
RoHS Compliant by Exemption			

163-MJ21-EX, 163-MJ22-EX

Date Last Revised: 03/15/07

Available from Mouser Electronics  
1-800-346-6873 / www.mouser.com

KC-301132

Specifications are subject to change without notice. No liability or warranty implied by this information. Environmental compliance based on producer documentation.