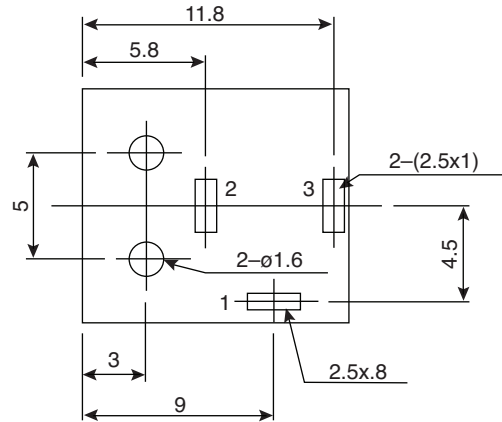
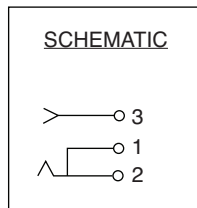
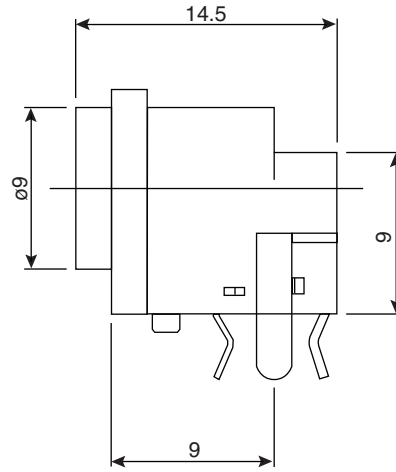
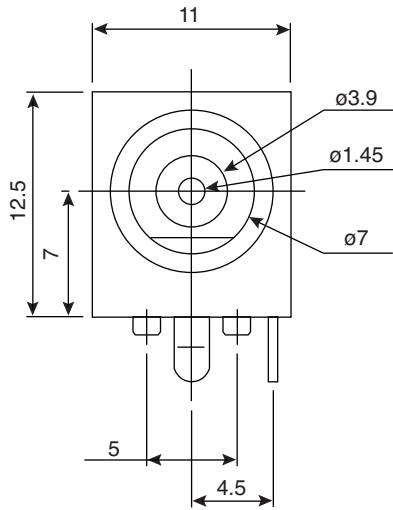


DC Jack 6.5 x 3.5 x 1.4

163-1203-E



DC Jack 6.5 x 3.5 x 1.4



RECOMMENDED P.C.B LAYOUT (COMPONENT SIDE)
P.C.B THICKNESS = 1.6MM

Dimensions: mm

Electrical Specifications:	
Current Rating:	4.0A AC/DC Max.
Voltage Rating:	24V AC/DC Max.
Contact Resistance:	30m Ω Max.
Insulation Resistance:	100M Ω Min.
Dielectric Voltage:	500V AC/Min.
RoHS compliant	

Material Specifications:	
Housing:	High Temp. Plastic UL94V-0, Black
Terminal:	Copper Alloy
Terminal Plating:	Silver on contact and solder all over nickel
RoHS compliant	

Date Last Revised: 3/19/09

Available from Mouser Electronics
1-800-346-6873 / www.mouser.com

KC-301345

Specifications are subject to change without notice. No liability or warranty implied by this information. Environmental compliance based on producer documentation.

163-1203-E