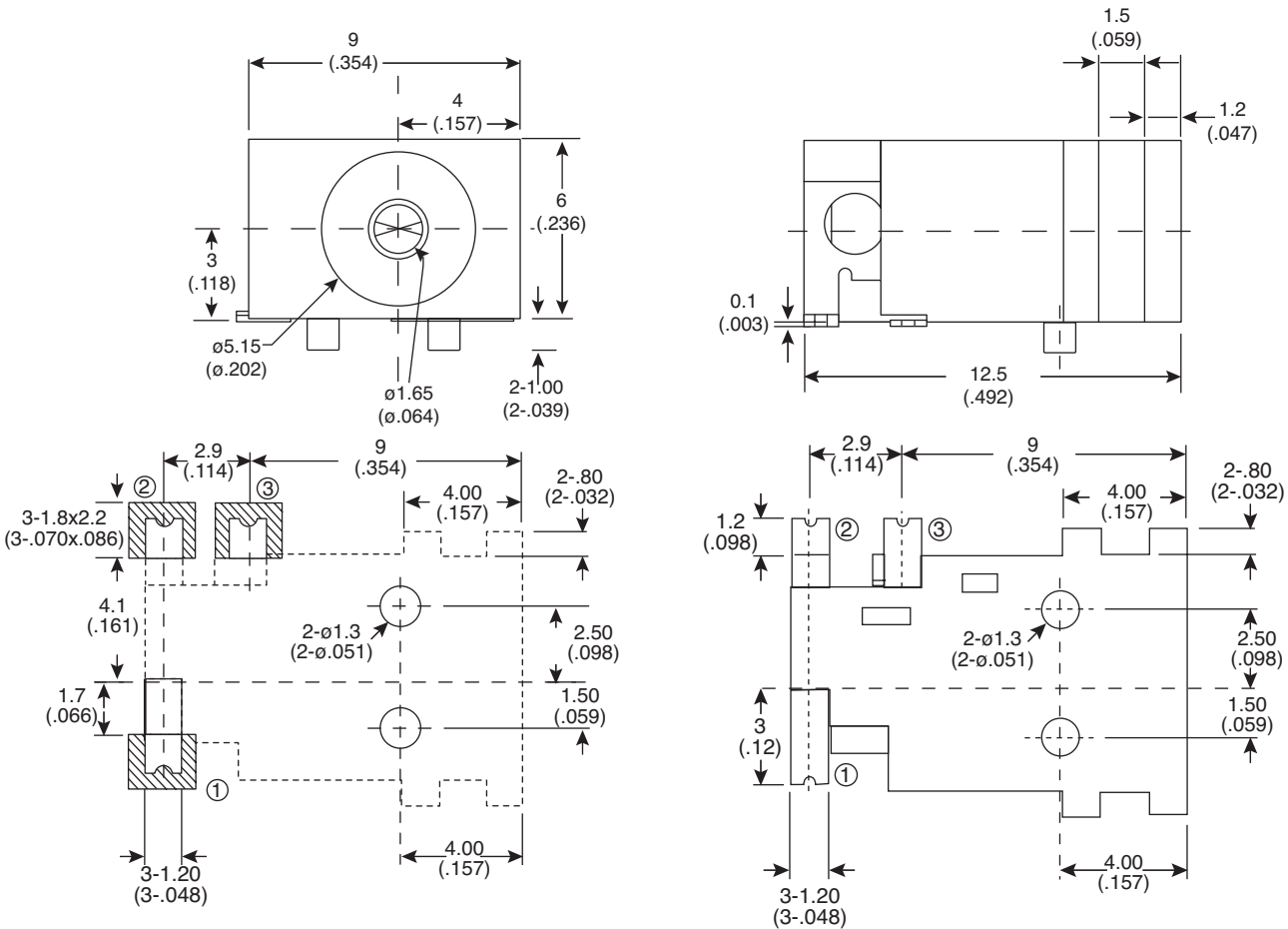


# DC Power Jack

163-2217-E



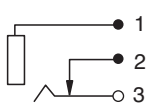
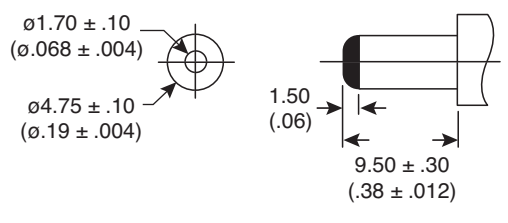
DC Power Jack



**DIMENSIONS: mm (in.)**

## SPECIFICATIONS

<b>Voltage Rating:</b>	12VDC
<b>Current Rating:</b>	1A
<b>Contact Resistance:</b>	30m $\Omega$
<b>Insulation Resistance:</b>	100m $\Omega$ 500VDC
<b>Dielectric Strength:</b>	500VAC 1 min.
<b>Durability:</b>	5000 cycles
<b>Insertion Force:</b>	.2Kg to 2.0Kg
<b>Extraction Force:</b>	.2Kg to 2.0Kg
<b>Soldering Temperature:</b>	260° for 5 seconds
<b>Operating Temperature:</b>	-25°C to +85°C
<b>Material Contacts:</b>	Brass
<b>Material Housing:</b>	PBTG15% Black
<b>Plating:</b>	Tin
RoHS Compliant	



Tolerance	
X.	$\pm 0.6$
X.X	$\pm 0.3$
X.XX	$\pm 0.15$

Date Last Revised: 01-21-08

Available from Mouser Electronics  
1-800-346-6873 / www.mouser.com

KC-300978

163-2217-E

Specifications are subject to change without notice. No liability or warranty implied by this information. Environmental compliance based on producer documentation.