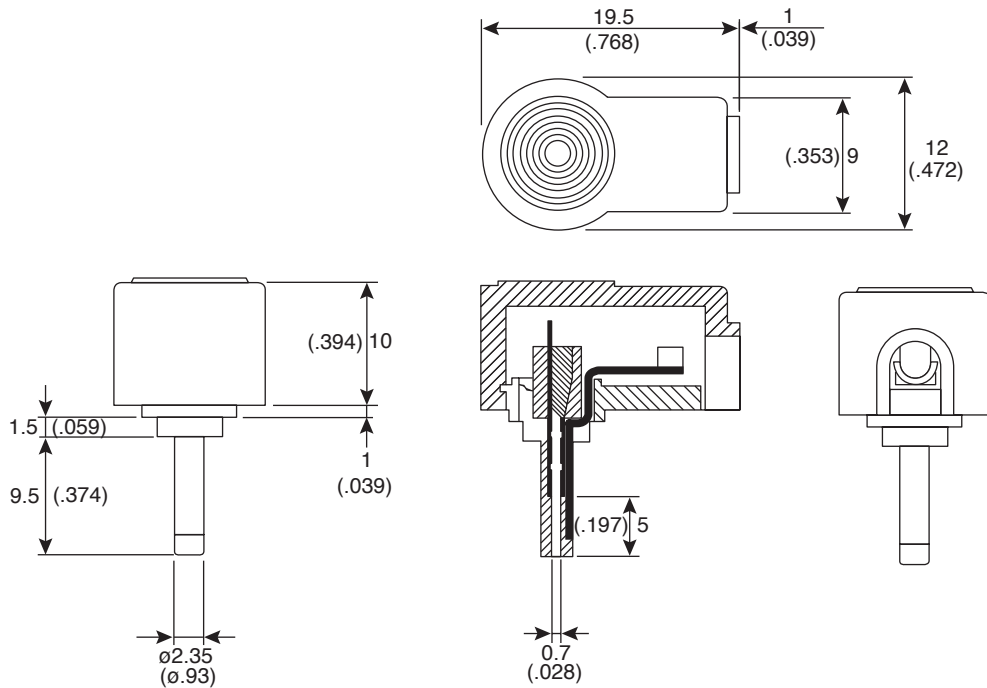


# .7mm DC Power Plug

171-3118-EX



.7mm DC Power Plug



Dimensions: mm (In)

SPECIFICATIONS	
Rating:	2A/3.15VDC
Dielectric Strength:	500VAC for 1 Minute
Insulation Resistance:	100MΩ min. @ 500VDC
Contacts:	Nickel Plated Brass
Insulator:	POM
Body:	Polypropylene
RoHS Compliant by Exemption	

Date Last Revised: 12-9-05

Available from Mouser Electronics  
1-800-346-6873  
www.mouser.com

KC-300909

171-3118-EX