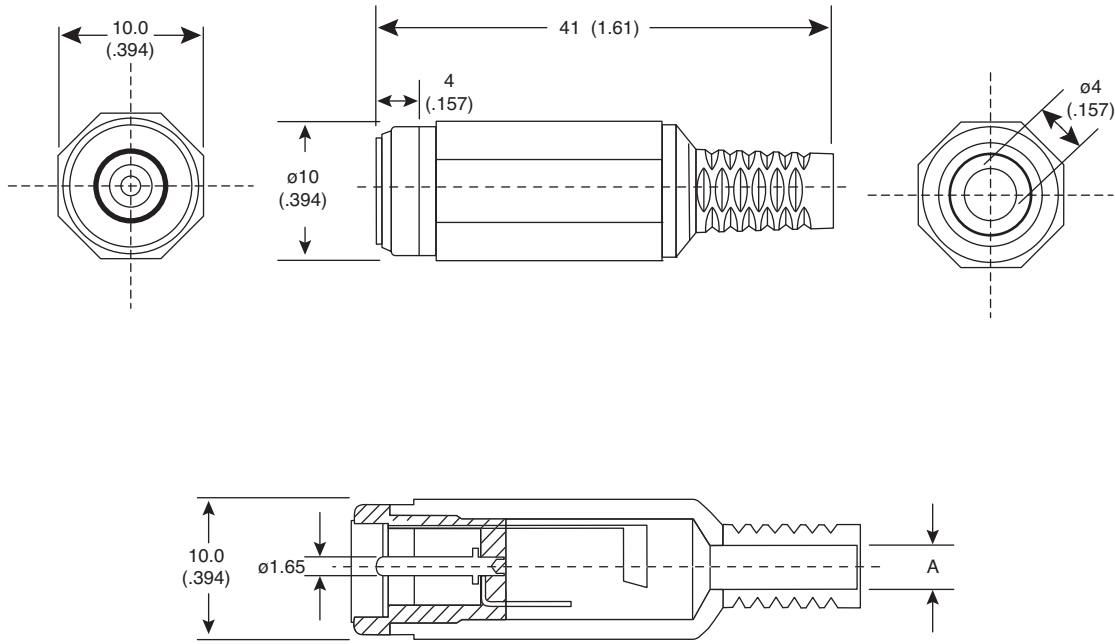


# In-Line DC Power Jack

163-0310-EX, 163-0311-EX



In-Line DC Power Jack



**DIMENSIONS: mm (in.)**

SPECIFICATIONS	
<b>Rating:</b>	163-0310-EX= 10.5VDC 2A 163-0311-EX= 6.3VDC 2A
<b>Breakdown Voltage:</b>	500VAC for 1 minute
<b>Insulation Resistance:</b>	100MΩ min. @ 500VDC
<b>Contact Terminal:</b>	Nickel Plated Brass
<b>Body:</b>	PA
<b>RoHS Compliant by Exemption</b>	

Mouser Stock No.	Dimension A
163-0310-EX	ø5.0mm
163-0311-EX	ø4.0mm

Date Last Revised: 10-20-08

**Available from Mouser Electronics**  
**1-800-346-6873**  
**www.mouser.com**

KC-300839

163-0310-EX, 163-0311-EX

Specifications are subject to change without notice. No liability or warranty implied by this information. Environmental compliance based on producer documentation.