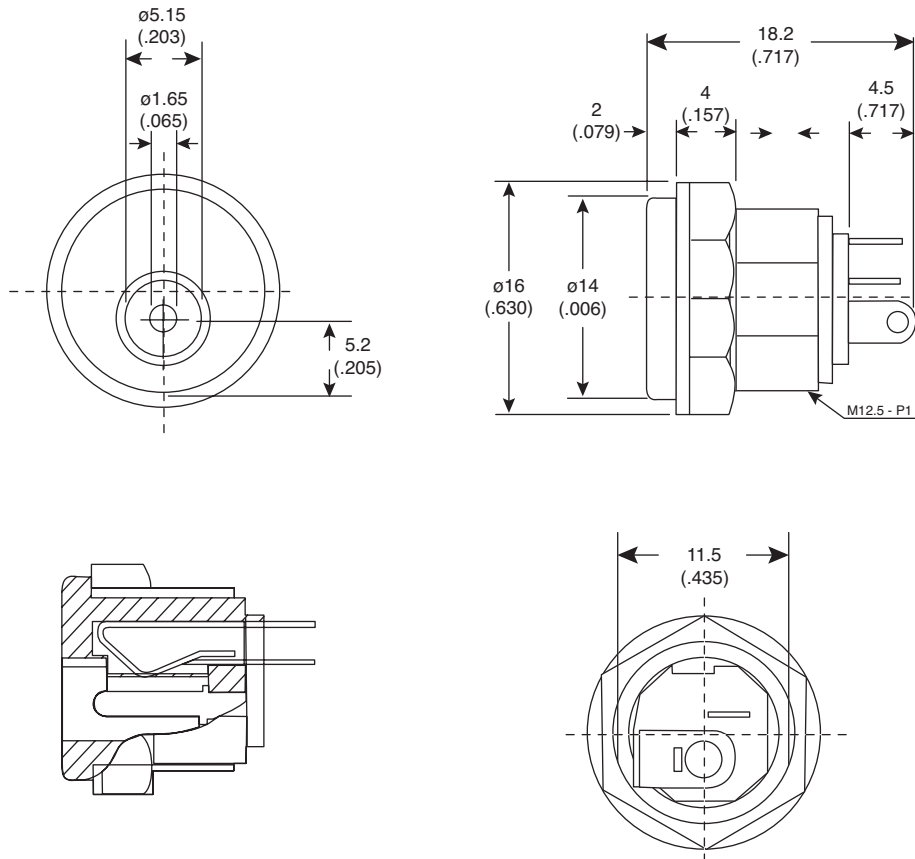


# DC Power Jack

163-4117-EX



DC Power Jack



Dimensions: mm (In.)

SPECIFICATIONS	
<b>Rating:</b>	10.5 VDC 2A
<b>Insulation resistance:</b>	100M $\Omega$ min. @ 500VDC
<b>Contact resistance:</b>	30 m $\Omega$ max.
<b>Dielectric Strength:</b>	500 VAC for one min.
<b>Contact terminal:</b>	Silver plated brass
<b>Center Pin:</b>	Nickel plated brass
<b>RoHS Compliant by Exemption</b>	

Date Last Revised: 12-12-05

Available from Mouser Electronics  
1-800-346-6873  
www.mouser.com

KC-300845

163-4117-EX