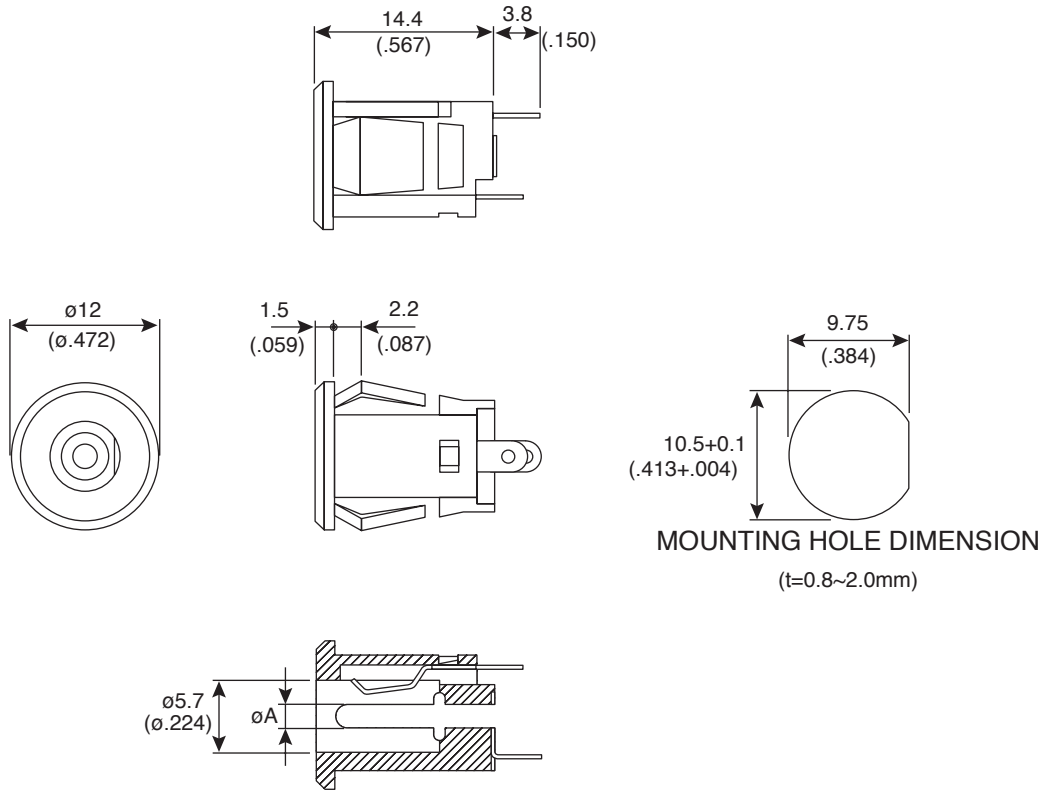


Panel Mount DC Power Jack

163-1060-EX, 163-1061-EX

KOBICONN

Panel Mount DC Power Jack



Dimensions: mm (In.)

Electrical Specifications	
Rating:	(163-1060-EX) DC12V 0.5A, (163-1061-EX) DC12V 1A
Contact resistance:	30m Ω max
Insulation resistance:	DC500V 100M Ω min.
Withstand voltage:	AC500V for 1 min.

Mechanical Specifications	
Terminal:	Silver plated brass
Contact spring:	Silver plated copper
Pin:	Nickel plated brass
Body:	PA G=15%
Diameter (A):	163-1060-EX = $\phi 1.9$ mm 163-1061-EX = $\phi 2.35$ mm
RoHS Compliant by Exemption	

Date Last Revised: 12-26-05

Available from Mouser Electronics
1-800-346-6873
www.mouser.com

KC-300872

163-1060-EX, 163-1061-EX