

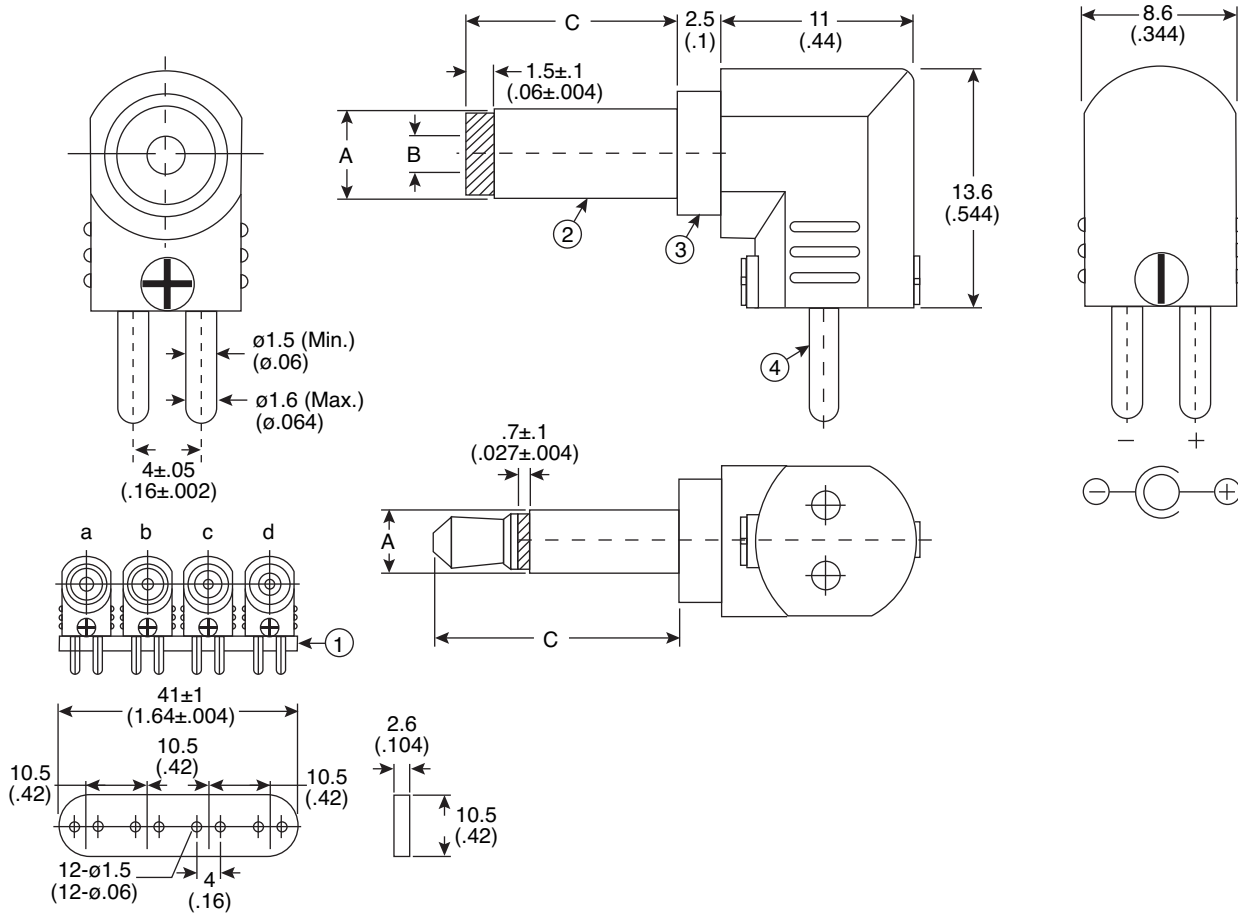
# 4 Piece Right Angle Adapter Plugs

173-TIP-EDAC-6-EX



4 Piece Right Angle Adapter Plugs

173-TIP-EDAC-6-EX



Dimensions: mm (in.)

	Part No.	A	B	C
a	173-4017TIP-EX	ø4.0 (.16)	ø1.7 (.068)	9.5 (.38)
b	173-35MPTIP-EX	ø3.5 (.14)	---	14 (.56)
c	173-5521TIP-EX	ø5.5 (.22)	ø2.1 (.08)	12 (.472)
d	173-5525TIP-EX	ø5.5 (.22)	ø2.5 (.10)	12 (.472)

No.	Material	Plating
1	PVC Black	---
2	Brass	Nickel
3	ABS Black	---
4	Brass	Nickel

Date Last Revised: 12-10-09

Available from Mouser Electronics  
1-800-346-6873 / www.mouser.com

KC-301332

Specifications are subject to change without notice. No liability or warranty implied by this information. Environmental compliance based on producer documentation.