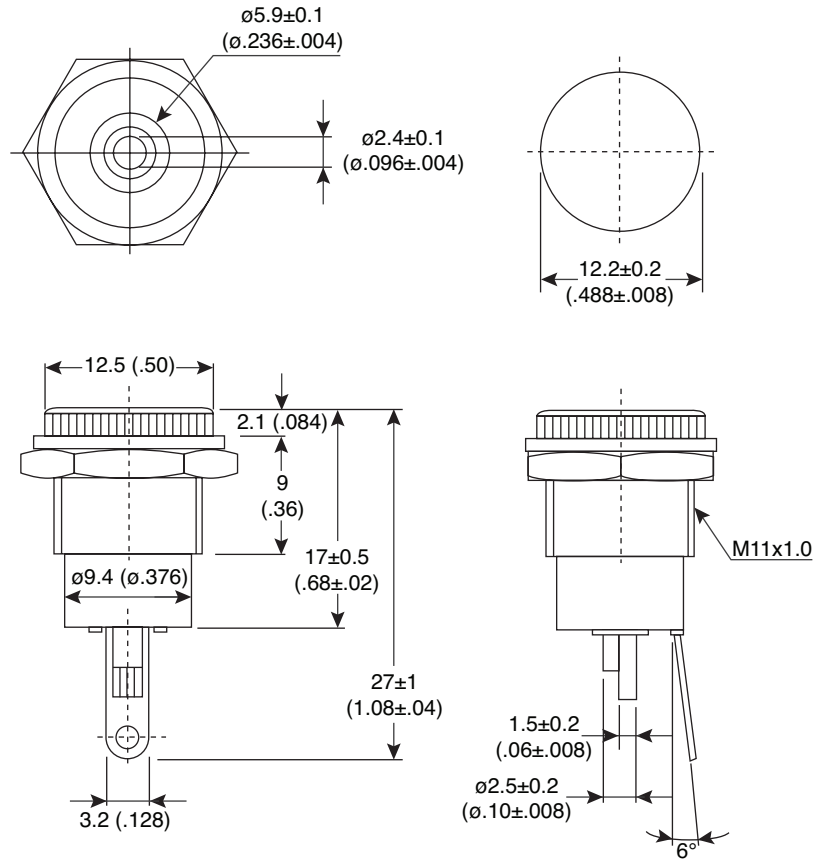


DC Power Jack

163-2325-E



DC Power Jack



Dimensions: mm (In.)

SPECIFICATIONS	
Rating:	3A
Insulation R	DC 500V 100M Ω min.
Dielectric Strength:	AC 1000V 1 minute
Operation Temperature:	-10°C ~ +80°C

Date Last Revised: 8-21-06

Available from Mouser Electronics
1-800-346-6873
www.mouser.com

KC-301038

163-2325-E