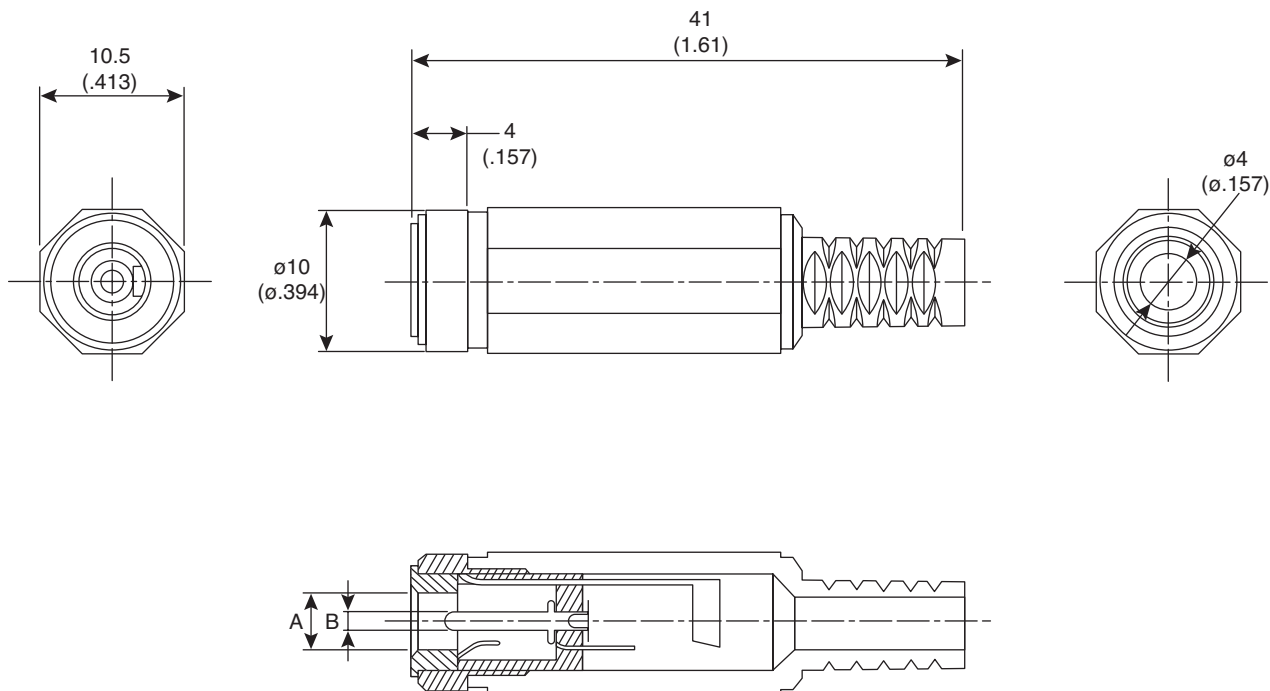


# DC Power Jack

163-0309-EX, 163-0308-EX



DC Power Jack



### DIMENSIONS: mm (in.)

Mouser Stock No.	A	B
163-0308-EX	$\phi 4$	$\phi 1.3$
163-0309-EX	$\phi 3.6$	$\phi 1.3$

SPECIFICATIONS	
<b>Rating:</b>	12VDC .5A
<b>Breakdown Voltage:</b>	500VAC for 1 minute
<b>Insulation Resistance:</b>	100M $\Omega$ min. @ 500VDC
<b>Contact:</b>	Nickel Plated Copper
<b>Terminals:</b>	Nickel Plated Brass
<b>Body:</b>	PA
<b>RoHS Compliant by Exemption</b>	

163-0309-EX, 163-0308-EX

Date Last Revised: 02-28-08

Available from Mouser Electronics  
1-800-346-6873 / www.mouser.com

KC-300841

Specifications are subject to change without notice. No liability or warranty implied by this information. Environmental compliance based on producer documentation.