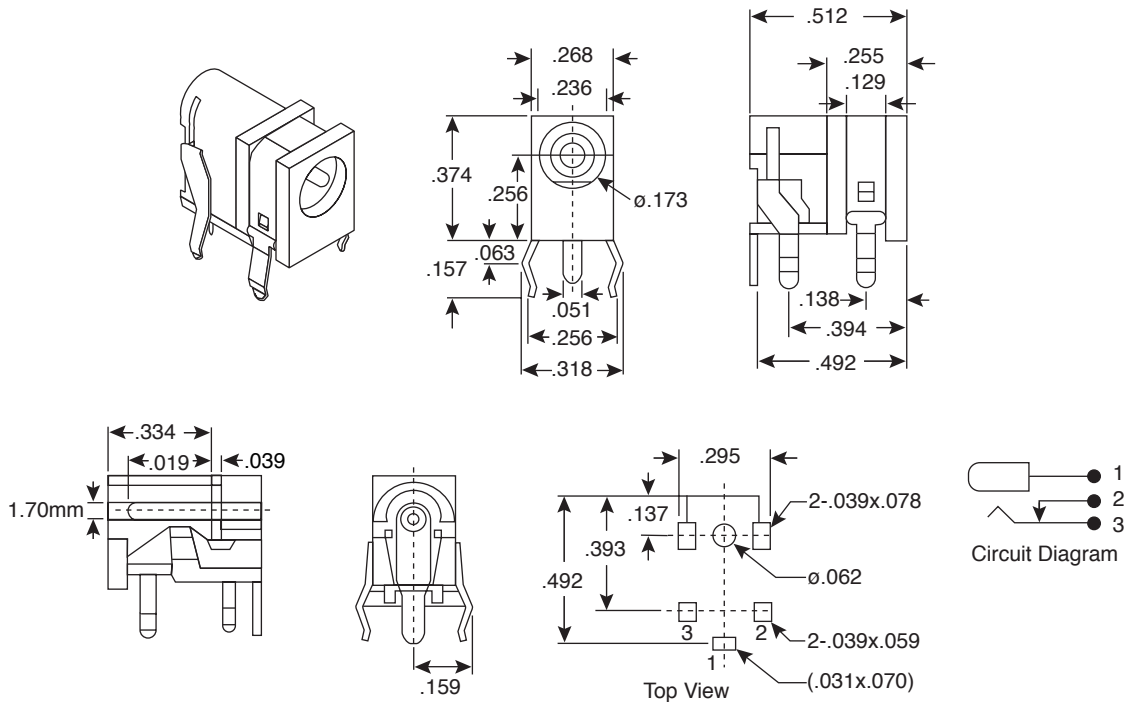


1.7mm PCB DC Jack

163-4310-E

KOBICONN

1.7mm PCB DC Jack



DIMENSIONS: (In.)
(except where noted)

SPECIFICATIONS	
Type:	molded with snap mount, PC pins, & NC switch
Rated power:	6.3VDC 2A
Dielectric strength:	500VAC for 1 minute
Insulation resistance:	100M Ω min.
Contact resistance:	30m Ω max.
Mating plug:	O.D. .157 "
RoHS Compliant	

Date Last Revised: 12-22-05

Available from Mouser Electronics
1-800-346-6873
www.mouser.com

KC-300952

163-4310-E