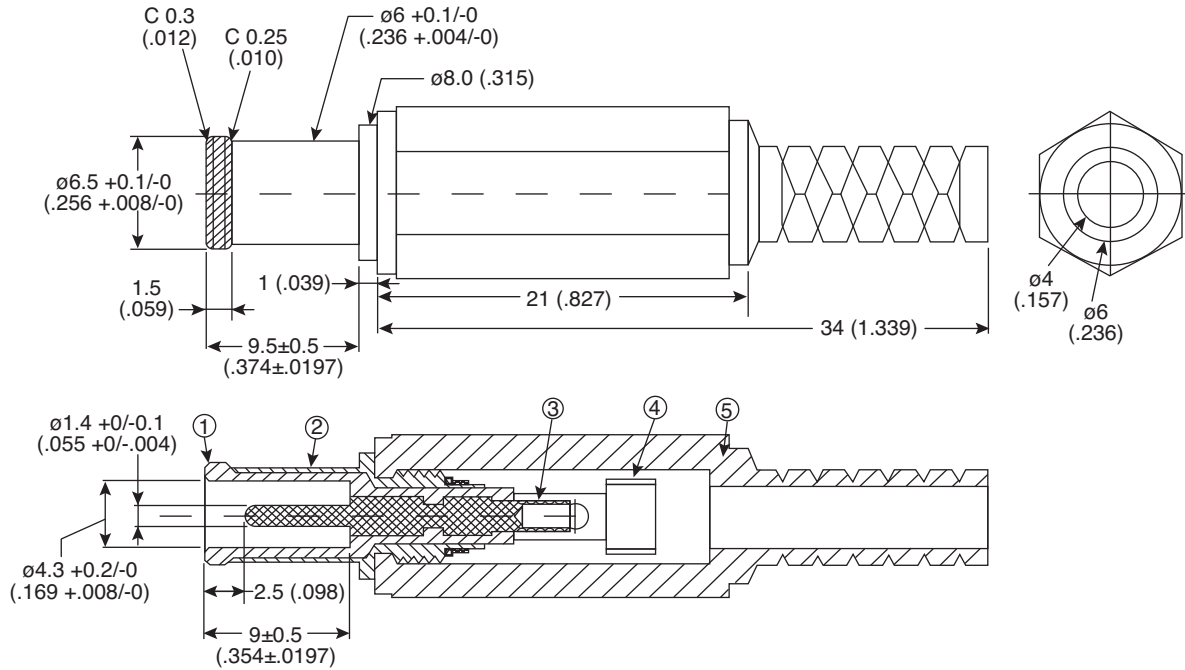


1.4mm Center Pin DC Power Plug

171-6014-E



1.4mm Center Pin DC Power Plug



Dimensions: mm (in)

Specifications:		
Part No.	Material	Plating
1	POM	Yellow
2	Brass	Nickel
3	Brass	Nickel
4	Brass	Nickel
5	PVC	Black
RoHS compliant		

Date Last Revised: 3/19/09

Available from Mouser Electronics
1-800-346-6873 / www.mouser.com

KC-301344

Specifications are subject to change without notice. No liability or warranty implied by this information. Environmental compliance based on producer documentation.