

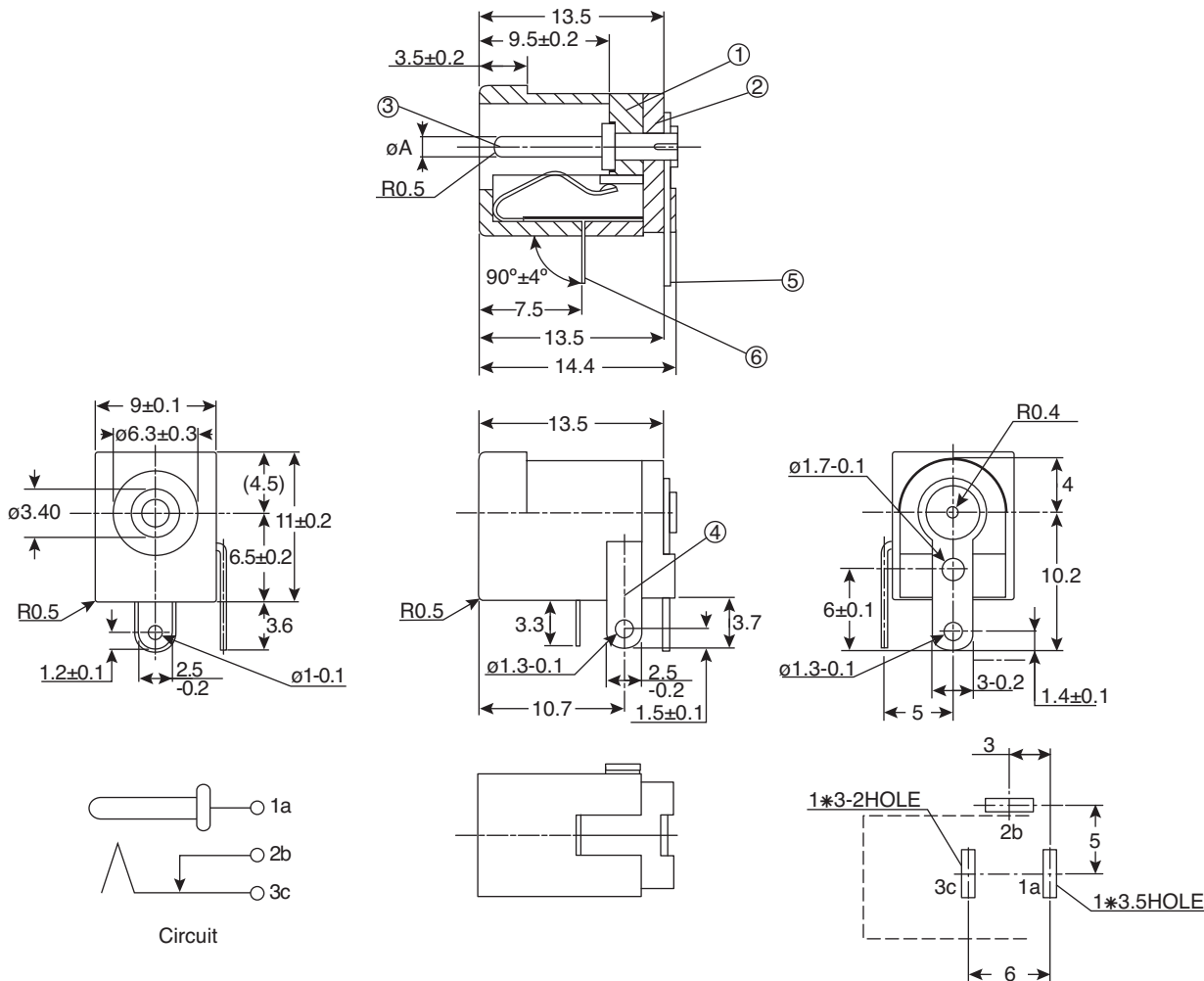
# PC Mount DC Power Jack

161-7214-E

KOBI CONN

PC Mount DC Power Jack

161-7214-E



Dimensions: mm

Model	161-7214-E
Center PIN Diameter $\phi A$	1.35

### Electrical Specifications:

- Insulation Resistance: Between any open terminal more than 100M $\Omega$ /DC500V, Humidity at 90-95% relative humidity at 40° C
- Contact Resistance:
  - The resistance normally closed contacts less than 30m $\Omega$
  - After 5,000 cycles of insertions and withdrawals with testing plug. The contact resistance less than 60m $\Omega$ .
- Insulation Force: 0.3 - 1.5 Kgs. Extraction Force: 0.3 - 1.5 Kgs.
- Voltage Test: Withstand 500V between any open terminal for one minute.
- Life Test: Withstand more than 5,000 cycles insertion and withdrawal with testing plug.
- Rating: 0.5A DC 12V
- General Tolerance:  $\pm 0.2$ mm.
- This product should not be washed with a chloride rinse.

MATERIAL SPECIFICATIONS:				
No.	Description	QTY	Material	Finish
1	Housing	1	PBT+30%Glass J-307	Black
2	Black Cover	1	P.O.M.	Black
3	Center Pin	1	Brass	Ni Plated
4	Break Terminal	1	0.5T BSR 2A-H	Silver Plated 2 $\mu$
5	Pin Terminal	1	0.5T BSR 2A-H	Silver Plated 2 $\mu$
6	Sleeve Terminal	1	0.2 Phosper Bronze	Silver Plated 2 $\mu$

RoHS Compliant

Date Last Revised: 3-2-10

Available from Mouser Electronics  
1-800-346-6873 / www.mouser.com

KC-301255

Specifications are subject to change without notice. No liability or warranty implied by this information. Environmental compliance based on producer documentation.