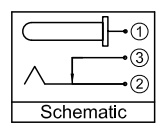
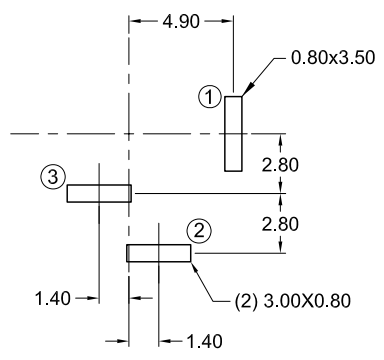
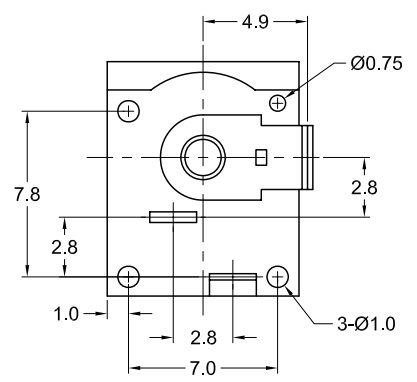
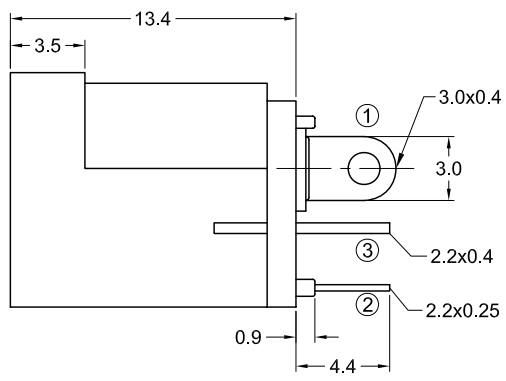
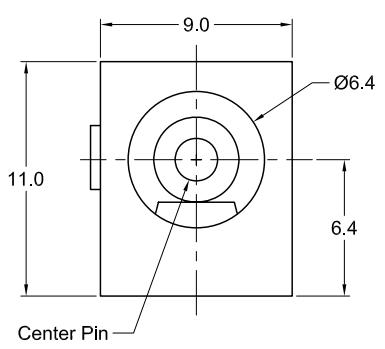


KYCON, Inc. 1810 Little Orchard Street, San Jose, CA 95125 (408)494-0330



**Material and Finish**

- Body: High Temp Material  
UL94V-0 Rated, Color: Black
- Center Pin: Brass, Nickel Plated
- Contact #1: Brass, Tin Plated
- Contact #2: Phosphor Bronze,  
Gold Flash on Contact Area,  
Tin on Solder Pin
- Contact #3: Brass, Tin Plated

**Electrical Characteristics**

- Contact Resistance  
Before Test  
Between Terminals: 30 milliohms Max.  
Plug to Contacts: 50 milliohms Max.
- After Test:  
Between Terminals: 60 milliohms Max.  
Plug to Contacts: 100 milliohms Max.
- Rated Voltage: 24V DC
- Rated Current: 3.5 Amps
- Insulation Resistance: 100 Megohms Min. (initial)  
50 Megohms Min. (after humidity test)
- Dielectric Withstanding Voltage:  
500V AC for 1 minute

**Mechanical Characteristics**

- Durability Test: 5000 cycles
- Insertion Force: 0.3kg-2.0kg
- Extraction Force: 0.3kg-2.0kg
- Operating Temp: -25°C to +85°C

Part Number	Center Pin Diameter
KLDVX-0202-A	Ø2.00
KLDVX-0202-B	Ø2.50
KLDVX-0202-D	Ø3.00

**RoHS COMPLIANT**  
EU Directive 2002/95/EC



Tolerances
X.X ± 0.3
X.XX ± 0.15
Unless Stated Otherwise

REV.	DATE	DESCRIPTION	REV. BY	CHK. BY	DRAWN BY	DATE
A1	7/6/05	New Drawing	H. MA	C. Furumasu	H. MA	7/6/05
A2	11/8/05	Change to Hi Temp Material	H. MA	C. Furumasu		
A3	8/3/06	Add -D option	H. MA	C. Furumasu		
A4	08/20/10	ECO #10-058	S. Vien	H. MA		
A5	10/18/10	ECO #10-072	S. Vien	H. MA		

**KLDVX-0202-x**

Power Jack, Vertical, PCB Mount, RoHS compliant  
Ø2.0mm, Ø2.5mm & Ø3.0mm Center Pin, High Temp

