

KLDX Series PCB Mount DC Power Jack

Features

- 2.0mm and 2.5mm
- Built in DC On/Off Switch
- Laptop and Palm Computers, Portable Modems, Radar Detectors, and Other Portable Device Applications
- CSA/NRTL Certified File No. LR78160



Performance Specifications

Materials and Finish

Plastic Housing : PBT, UL 94V-0 Rated, Black Color

Center Pin : Copper Alloy, Nickel Plated

Contact #1 and #3 : Brass Tin Plated

Contact #2 : Phosphor Bronze Tin plated

Electrical Characteristics

Contact Resistance

Before Durability Test

Between Terminals : 30 milliohms Max.

Plug to Contacts : 50 milliohms Max.

After Durability Test

Between Terminals: 60 milliohms Max.

Plug to Contacts: 100 milliohms Max.

Rated Voltage : 24V DC

Rated Current : 3.5 Amps

Insulation Resistance : 100 Megohms Min.at 500V DC

Dielectric Withstanding Voltage: 500V AC RMS for 1 Minute

Mechanical Characteristics

Durability Test : 5000 Cycles

Insertion Force : 0.3kg - 2.5kg

Extraction Force : 0.3kg - 2.5kg

Operating Temperature : -25°C to + 85°C

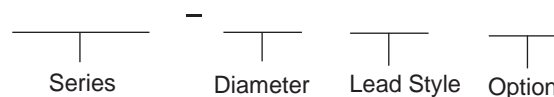
DC POWER CONNECTORS

KLDX Series

Documentation & Ordering Information

Kycon Part #

Part Number Builder



Series

KLDX-0202 - PCB Mount DC Power Jack

Diameter

A - 2.0mm Center Pin Diameter

B - 2.5mm Center Pin Diameter

Lead Style

Blank - Standard Straight

C - Crimped

Option

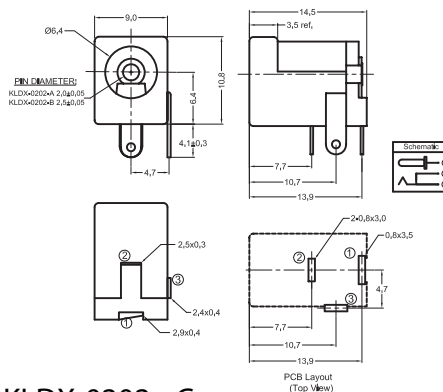
Blank - Standard

HT - High Temp

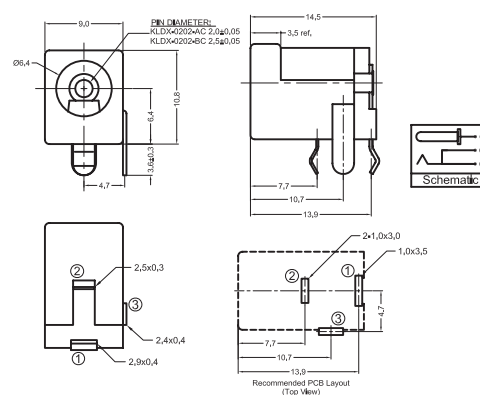
2P- 2 Pins (available only as [KLDX-0202-A-2P](#))

KLDX Series Dimensions

KLDX-0202-x



KLDX-0202-xC,



*Also available - KLDX-HT Reflow Compatible
Contact factory for specifications. 888-KYCON-22