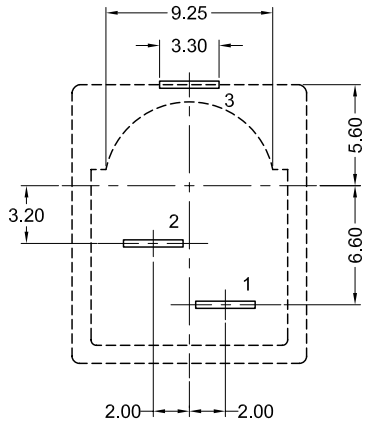
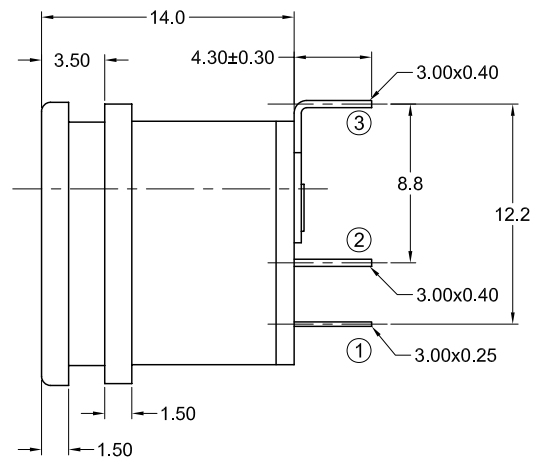


Ordering Information	
Part Number	Center Post Dia.
KLDPX-0207-A	2.0
KLDPX-0207-B	2.5



**Material and Finish**

Body: PBT Thermoplastic,  
30% glass filled  
UL94V-0, Color: Black

Center Pin: Copper, Nickel Plated

Contact #3: Copper Alloy, Tin Plated

Contact #1: Brass, Tin Plated

Contact #2: Brass, Tin Plated

**Electrical Characteristics**

Rated Voltage: 24V DC  
Rated Current: 3.5 amps DC

Contact Resistance  
Before Test  
Between Terminals:  
30 milliohms Max.  
Plug to Contacts:  
50 milliohms Max.

After Test:  
Between Terminals:  
60 milliohms Max.  
Plug to Contacts:  
100 milliohms Max.

Insulation Resistance:  
100 Megohms Min.

Dielectric Withstanding Voltage:  
250V AC minimum for 1 min.

**Mechanical Characteristics**

Durability Test: 5000 cycles  
Insertion Force: 0.3kg-2.0kg  
Extraction Force: 0.3kg-2.0kg  
Operating Temp: -25°C to +85°C

		Tolerances
		X.X ± 0.25 X.XX ± 0.15 Unless Stated Otherwise

REV.	DATE	DESCRIPTION	REV. BY	CHK. BY	DRAWN BY	DATE
A0	5/24/05	New Drawing	H. MA	C. Furumasa	H. MA	5/23/05
A1	1/18/06	Release Drawing	H. MA	N/A		
A2	03/04/08	ECO #08-011	R. Aguirre	H. MA		
A3	12/10/10	ECO #10-092	S. Vlen	H. MA		

**KLDPX-0207-x**

UNITS  
mm

DC Power Jack, Panel Mount  
2.0/2.5mm, RoHS Compliant

