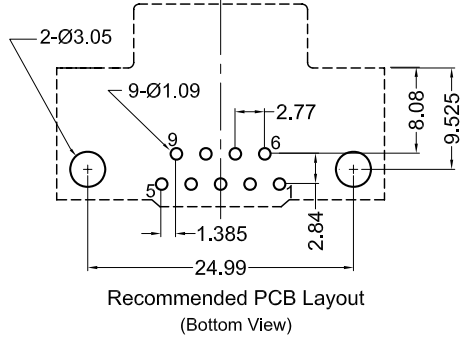
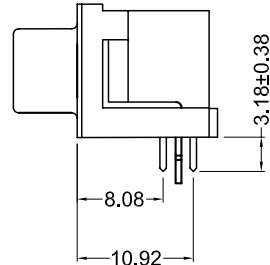


Ferrite Specifications		
Test Frequency	Edge Hole	Inner Hole
30 Mhz	17-27 Ohms	22-30 Ohms
50 Mhz	22-30 Ohms	29-37 Ohms
100 Mhz	29-34 Ohms	35-40 Ohms

Part Number	Contact Area Plating Finish
KF22X-E9S-N	Gold Flash (standard)
KF22X-E9S-N15	15u" Gold (15 option)
KF22X-E9S-N30	30u" Gold (30 option)



**Material and Finish**

Shell: Steel, tin plated  
Insulator: PBT with glass-fiber reinforcement  
UL 94V-0  
color-black

Contact Material:  
Socket- Phosphor Bronze

Duplex plated as follows:

30 30u" gold  
on mating end,  
tin on termination end,  
with entire contact nickel  
underplated

15 15u" gold  
on mating end,  
tin on termination end,  
with entire contact nickel  
underplated

(Standard) Gold flash on mating end,  
tin on termination end, with nickel  
underplate on entire contact

**Electrical Specifications**

Rated Current: 2A  
Rated Voltage: 30V RMS

Withstanding Voltage:  
500V (rms) AC for 1 min  
Insulation Resistance:  
more than 1000 Mohm  
at 500v DC

Contact Resistance:  
13 mohm Max  
Dielectric Strength:  
1000V for 1 min  
Temperature Rating:  
-55°C to +105°C

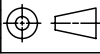


Tolerances
X.X ± 0.25
X.XX ± 0.15
Unless Stated Otherwise

REV.	DATE	DESCRIPTION	REV. BY	CHK. BY	DRAWN BY	DATE
A1	2/15/06	New Drawing	R. Aguirre	H. MA	R. Aguirre	10/10/05
A2	02/21/08	ECO # 07- 049	S. Vien	H. MA		

**KF22X-E9S-N**

Rt. Ang Ferrite D-Sub,RoHS Compliant  
9 Pos. Female, 0.318" Footprint



UNITS  
mm