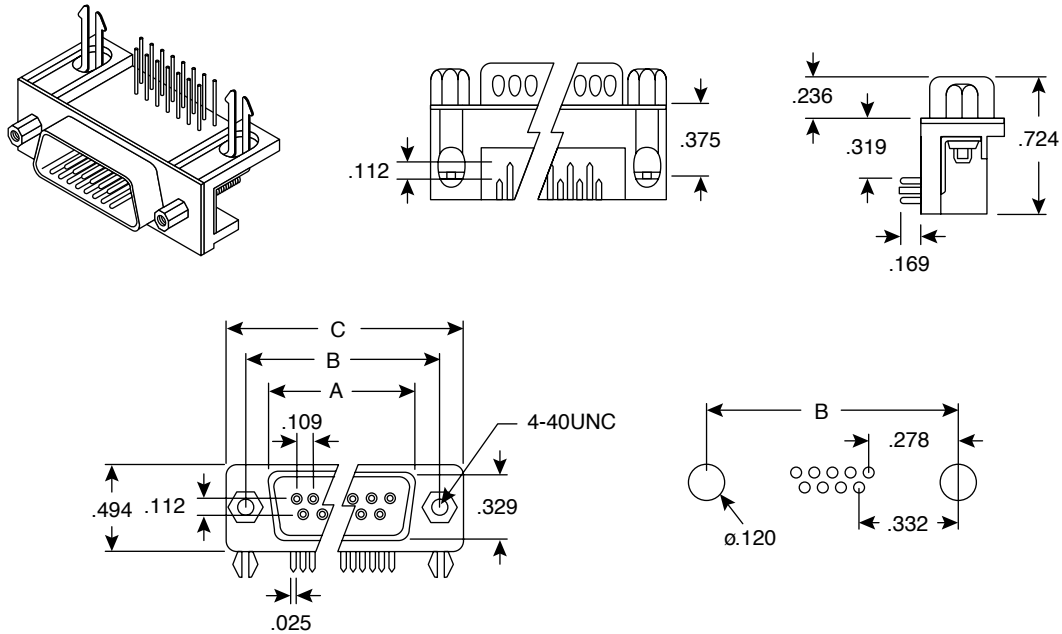


D-Sub Plugs

152-3309, 152-3315, 152-3325, 152-3337



D-Sub Plugs



Dimensions: In.

Mouser Stock No.	Pos.	A	B	C
152-3309	9	.666	.984	1.21
152-3315	15	.994	1.31	1.54
152-3325	25	1.53	1.85	2.09
152-3337	37	2.18	2.50	2.73

SPECIFICATIONS	
Type:	D-subminiature right angle
Contact resistance:	30mΩ max. @ DC 100mA
Insulator resistance:	1000mΩ min. @ 500VDC
Current rating:	1A
Dielectric withstanding voltage:	500VAC for 1 minute
Operating temperature:	-55°C ~ +105°C
Contact:	gold plated brass
Housing:	PBT & 30% glass fiber

152-3309, 152-3315, 152-3325, 152-3337

Date Last Revised: 10-18-05

Available from Mouser Electronics
1-800-346-6873
www.mouser.com

KC- 300661