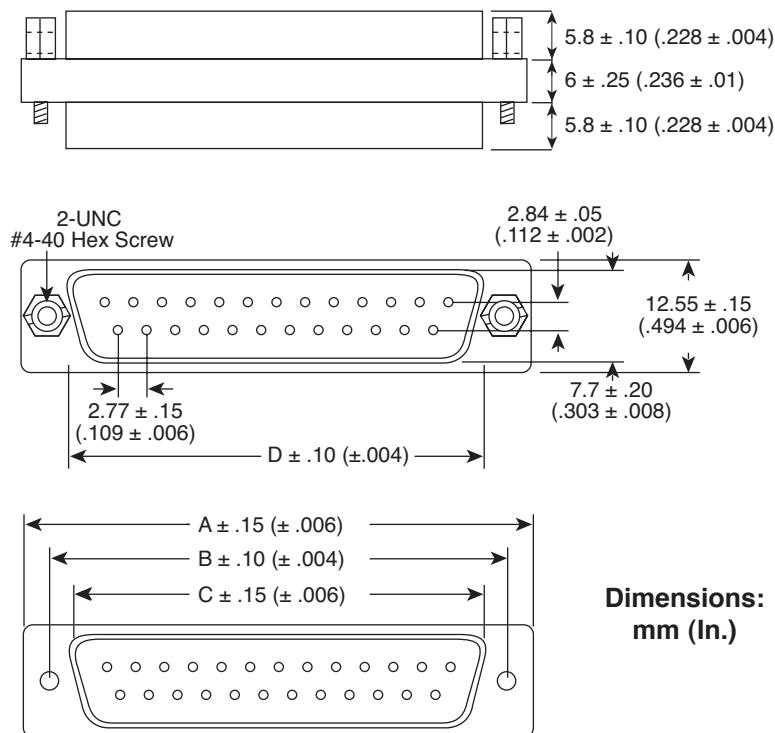


Mini-Size Gender Changer

157-0302, 157-0306, 157-0310



Mini-Size Gender Changer



Dimensions:
mm (In.)

MOUSER STOCK NO.	Number of Contacts	Dimensions: mm (In.)			
		A	B	C	D
157-0302	9	(1.21) 30.8	(.984) 25.0	(.644) 16.35	(.643) 16.35
157-0306	15	(1.54) 39.2	(1.31) 33.3	(.972) 24.7	(.972) 24.7
157-0310	25	(2.09) 53.05	(1.85) 47.04	(1.39) 35.4	(1.51) 38.4

SPECIFICATIONS	
Insulator:	PBT glass fiber reinforced
Contact:	Brass
Contact Plating:	Gold over nickel
Shell:	Tin plated
Screw:	UNC #4-10 hexscrew
Current Rating:	3A
Dielectric Strength:	1000VAC for 1 minute
Insulator Resistance:	1000MΩ min. @500VDC
Temperature:	-55°C ~ +105°C

Date Last Revised: 10-18-05

Available from Mouser Electronics
1-800-346-6873
www.mouser.com

KC-300689

157-0302, 157-0306, 157-0310