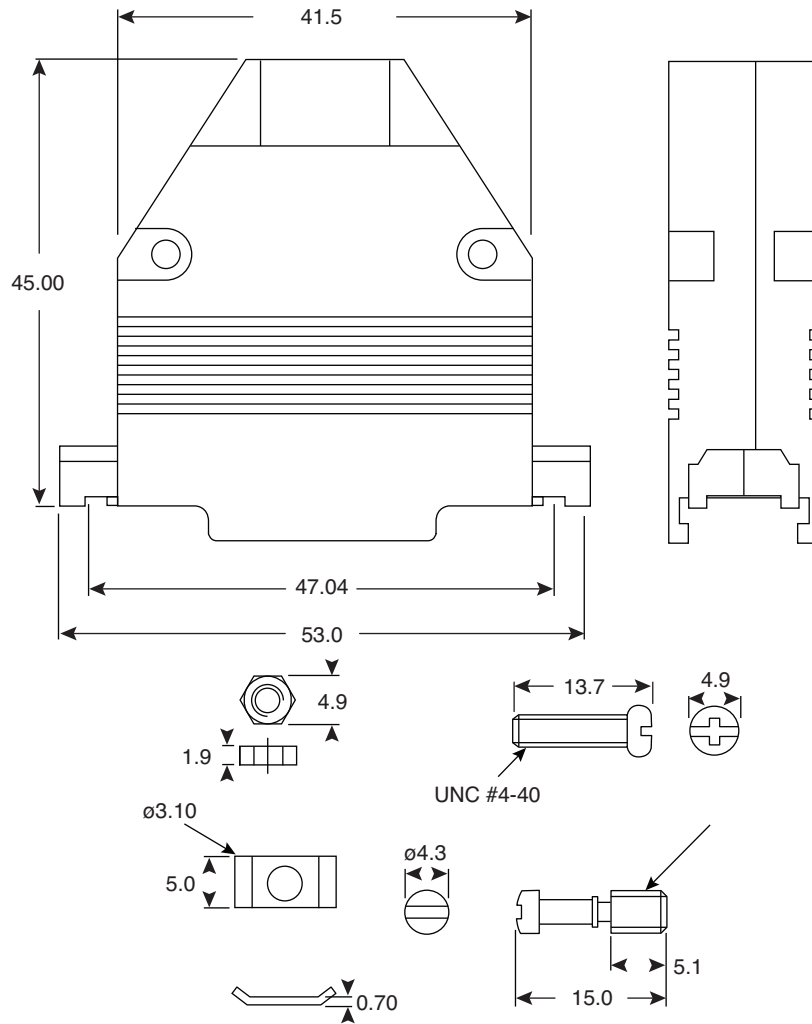


Metal Locking Hood

156-1725-EX



Metal Locking Hood



Dimensions: mm

Specifications:	
Type:	All metal, FRI/EMI shielded straight cable exit
Finish:	Nickel plated
Material:	Zinc alloy
RoHS compliant by Exemption	

Date Last Revised: 8/19/09

Available from Mouser Electronics
1-800-346-6873 / www.mouser.com

KC-301372

156-1725-EX

Specifications are subject to change without notice. No liability or warranty implied by this information. Environmental compliance based on producer documentation.