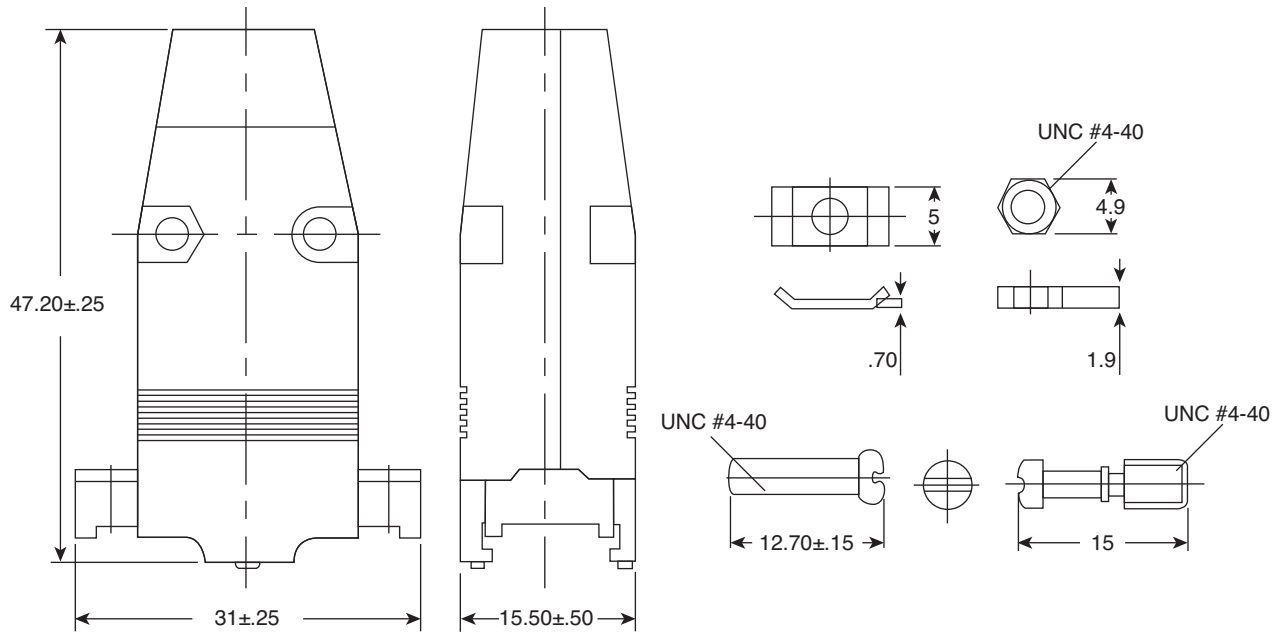


# Metal Locking Hood

156-1709-EX



Metal Locking Hood



Dimensions: mm

Specifications:	
<b>Type:</b>	All metal, FRI/EMI shielded, straight cable exit
<b>Finish:</b>	Nickel plated
<b>Material:</b>	Zinc alloy
RoHS compliant by Exemption	

Date Last Revised: 8/20/09

Available from Mouser Electronics  
1-800-346-6873 / [www.mouser.com](http://www.mouser.com)

KC-301370

156-1709-EX

Specifications are subject to change without notice. No liability or warranty implied by this information. Environmental compliance based on producer documentation.