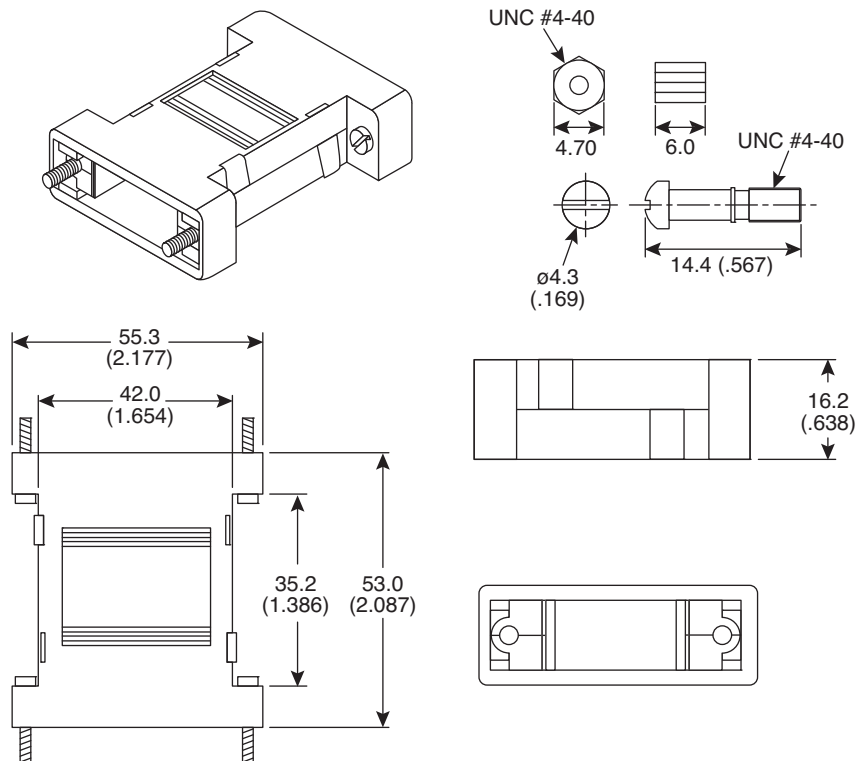


D-Sub Adaptor Housing

157-4000-EX, 157-4003-EX



D-Sub Adaptor Housing



Dimensions: mm (in.)

MATERIAL SPECIFICATIONS	
Insulator:	A.B.S., UL 94HB
Package:	1 kit/bag
Attached:	4 pcs. screw
RoHS Compliant by Exemption	

Date Last Revised: 6/9/09

Available from Mouser Electronics
1-800-346-6873
www.mouser.com

KC-301356

157-4000-EX, 157-4003-EX

Specifications are subject to change without notice. No liability or warranty implied by this information. Environmental compliance based on producer documentation.