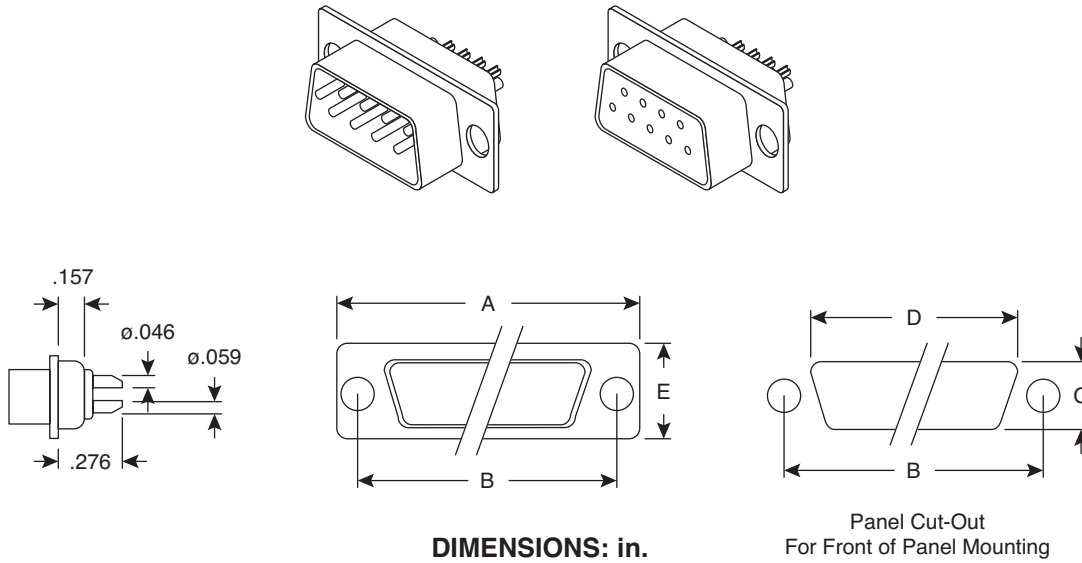


D-Sub Connectors

152-5000 Series-E



D-Sub Connectors



DIMENSIONS: in.

Panel Cut-Out
For Front of Panel Mounting

Mouser Stock No.	Type	Contacts	A	B	C	D	E
152-5109-E	Receptacle	9	1.21	.984	.488	.882	.512
152-5009-E	Plug						
152-5115-E	Receptacle	15	1.54	1.31	.488	1.20	.512
152-5015-E	Plug						
152-5125-E	Receptacle	25	2.09	1.85	.488	1.74	.512
152-5025-E	Plug						
152-5137-E	Receptacle	37	2.73	2.50	.488	2.40	.512
152-5037-E	Plug						
152-5150-E	Receptacle	50	2.63	2.41	.606	2.29	.622
152-5050-E	Plug						

SPECIFICATIONS	
Type:	D-Sub w/solder cup terminals
Current rating:	5A
Working voltage:	500VAC or DC peak
Contact resistance:	< 5mΩ
Insulation resistance:	10MΩ min.
Temperature range:	-55° ~ +125°C
Maximum wire size:	20AWG
Shell:	steel with 3-5μ zinc plating over yellow chromate
Insulator:	30% glass filled polyester, gray
Contacts:	machined gold plated over nickel copper alloy
RoHS Compliant	

Date Last Revised: 01-25-08

Available from Mouser Electronics
1-800-346-6873 / www.mouser.com

KC-301229

152-5000-E Series

Specifications are subject to change without notice. No liability or warranty implied by this information. Environmental compliance based on producer documentation.