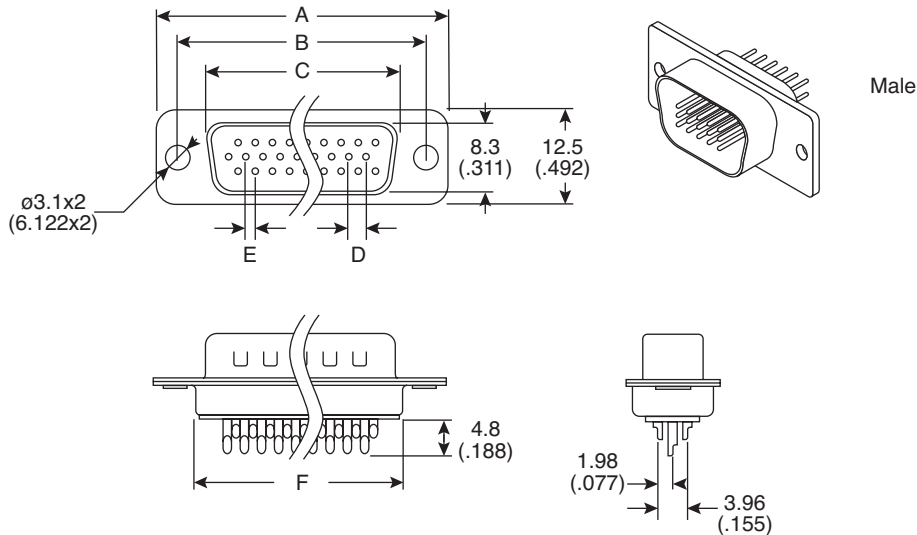


High Density D-Sub Connectors Male

156-1815-E, 156-1826-E



High Density D-Sub Connectors Male



Dimensions: mm (in.)

Mouser Stock No.	No. of pins	A	B	C	D	E	F
156-1815-E	15	16.92	25.00	30.8	2.29	1.14	19.2
156-1826-E	26	25.25	33.30	39.2	2.29	1.14	27.7

SPECIFICATIONS	
Contact current rating:	3 amperes
Contact resistance:	15 MΩ Max. @ 500VDC
Operating temperature:	-55°C to +105°C
Dielectric withstanding voltage:	1000 VAC/Minute.
Insulator	Thermal Plastic UL94V-0
Contacts	Copper Alloy
Shell	Steel
Rivet, Boardlock	Copper Alloy
Underplate	50μ" Nickel
Contact Area	1μ"~30μ" Selective Gold
Solder Tails	100μ" Tin/Lead Free (Brighten Tin/Matte Tin)
RoHS Compliant	

Date Last Revised: 6-6-07

Available from Mouser Electronics
1-800-346-6873 / www.mouser.com

KC- 301144

156-1815-E, 156-1826-E

Specifications are subject to change without notice. No liability or warranty implied by this information. Environmental compliance based on producer documentation.