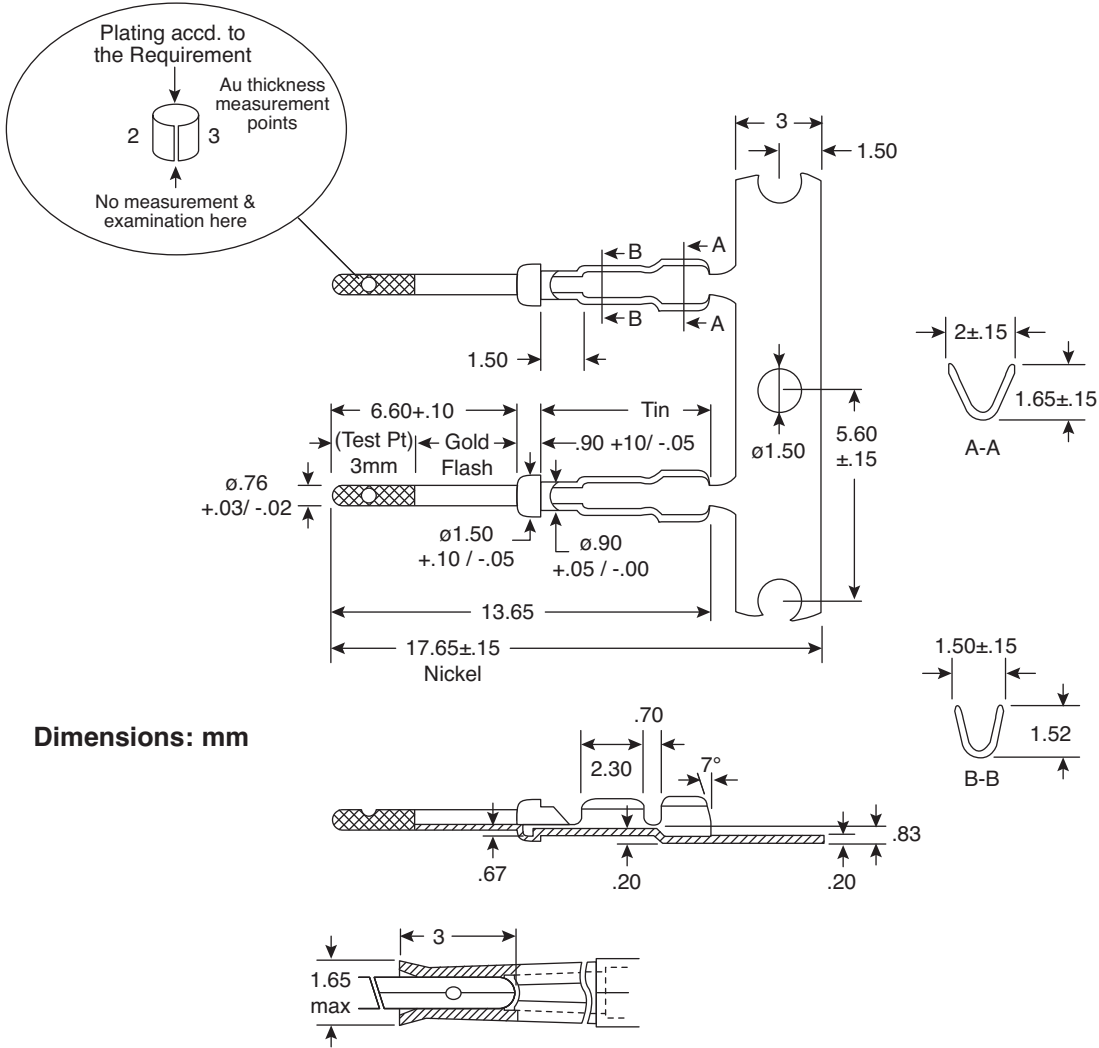


Crimp Contact (Male)

156-2000-E



Crimp Contact (Male)



SPECIFICATIONS	
Contact Type:	Male - Metal Clip
Material:	Brass with Gold Flash
Contact Option:	Left Feed Reel (Crimp Face Out) Standard
Wire Gauge:	26~30AWG
RoHS Compliant	

Date Last Revised: 8/25/10

Available from Mouser Electronics
 1-800-346-6873 / www.mouser.com

KC-301389

Specifications are subject to change without notice. No liability or warranty implied by this information. Environmental compliance based on producer documentation.

156-2000-E