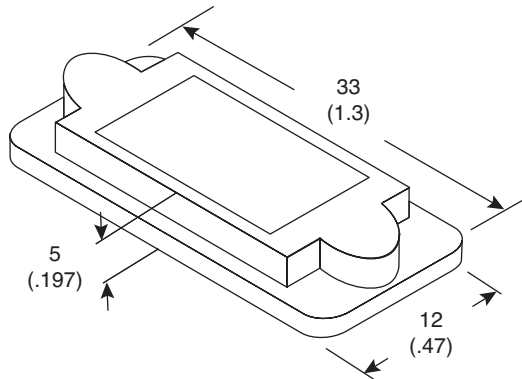


D-Sub Connector Hood EMI/Dust Covers



152-09FR-E, 152-15FR-E, 152-25FR-E,
152-09MB-E, 152-15MB-E, 152-25MB-E

D-Sub Connector Hood EMI/Dust Covers



Dimensions: mm (in.)

Mouser Part No.	Description	Color
152-09FR-E	9 way female	Red
152-15FR-E	15 way female	Red
152-25FR-E	25 way female	Red
152-09MB-E	9 way male	Blue
152-15MB-E	15 way male	Blue
152-25MB-E	25 way male	Blue

SPECIFICATIONS

Material:	ABS with internal nickel coating RoHS Compliant
------------------	--

152-09FR-E, 152-15FR-E, 152-25FR-E, 152-09MB-E,
152-15MB-E, 152-25MB-E

Date Last Revised: 01/25/08

Available from Mouser Electronics
1-800-346-6873 / www.mouser.com

KC-301231

Specifications are subject to change without notice. No liability or warranty implied by this information. Environmental compliance based on producer documentation.