

# 633/634 SERIES

Plug and Receptacle, Right Angle, High-Density, .350" (8.89mm) Footprint



## FEATURES

- High-density three contact rows with .350" (8.89mm) footprint right angle bend.
- .090" (2.29mm) contact spacing x .078" (1.98mm) row spacing.
- Optional 9th contact recessed by .050" (1.27mm) on 15-pin part, in accordance with VESA Display Data Channel Standard.
- Receptacles and plugs 15-, 26-, 44-, 62- and 78-pin contact sizes.
- Socket contact mating design with PC tail termination.
- Metal shell provides EMI/RFI shielding. Plug shell indents provide grounding and additional mating retention.
- Grounding features include top or bottom ground plates and two- or four-prong boardlock for exceptional retention to PC board.
- Mounting options for panel mount or connector mating include through-hole, threaded inserts and threaded standoffs.
- D-shaped connector mating outline provides polarization design based on requirements of MIL-C-24308, EIA RS-232 and RS-449.

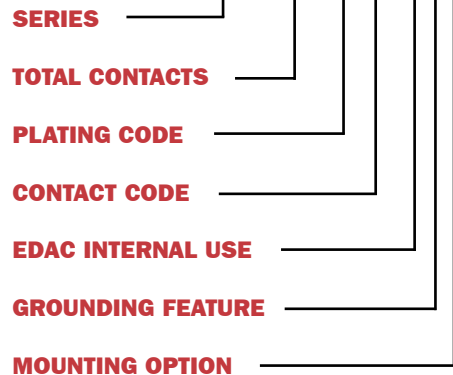
## SPECIFICATIONS

- Insulator Material: Thermoplastic polyester, UL 94V-0; chemical resistant; colour - black or blue.
- Ferrite Specifications: Attenuation - 17dB MIN @ 30Mhz, 25dB MIN @ 50Mhz and 40dB @ 100Mhz.
- Contact Material: receptacle contacts - phosphor bronze.
- Contact Plating: Gold (see *Ordering Code*) over nickel for the mating area, tin/lead plating on contact tails.
- Shell Material: Tin/lead plated steel.
- Current Rating: 5 amperes.
- Contact Resistance: 10 milliohms maximum.
- Dielectric Withstanding Voltage: 1000V AC rms at sea level.
- Insulation Resistance: 5000 megohms minimum.
- Operating Temperature: -55° to +125° C.
- Engagement and Separation Force: 1 to 10 oz. (0.28 to 2.78 N) per contact position.

## 633/634 SERIES ORDERING CODE

Example:

**634-015-632-042**



**SERIES**  
**633** .....Plug  
**634**.....Receptacle

**TOTAL OF CONTACTS**  
**015, 026, 044, 062 (078 - Female Only)**

**PLATING CODE**  
**2** .....Gold Flash (Class 3)  
**5** .....10µ" (0.25µm) (Class 2)  
**6** .....30µ" (0.76µm) (Class 1)

**CONTACT CODE**  
**63** .....Standard contacts, black plastic  
**68** .....Ferrite filter  
**73** ...9th contact recessed .050" (1.27mm), black insulator  
**74** ....9th contact recessed .050" (1.27mm), blue insulator

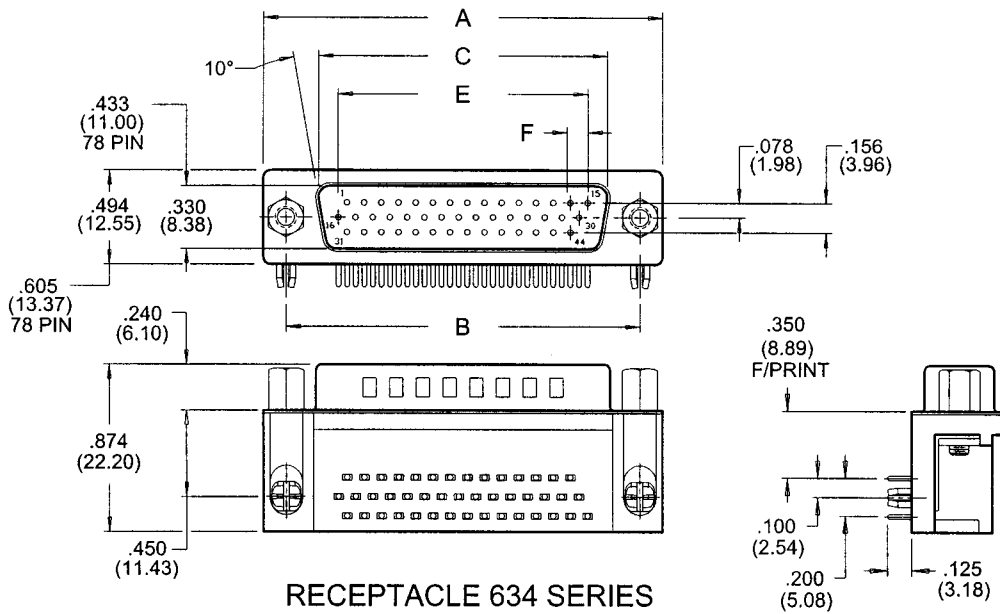
**EDAC INTERNAL USE**  
**0** .....Indicates generic internal use code

**GROUNDING FEATURE**  
**1** ..... .120" (3.05mm) dia. through-hole top ground  
**2** .. .120" (3.05mm) dia. through-hole bottom ground (633)  
**3** ....Two-prong boardlocks for .120" (3.05mm) dia. hole  
**4** ...Four-prong boardlocks for .120" (3.05mm) dia. hole  
**9** .....High-temperature four-prong boardlocks

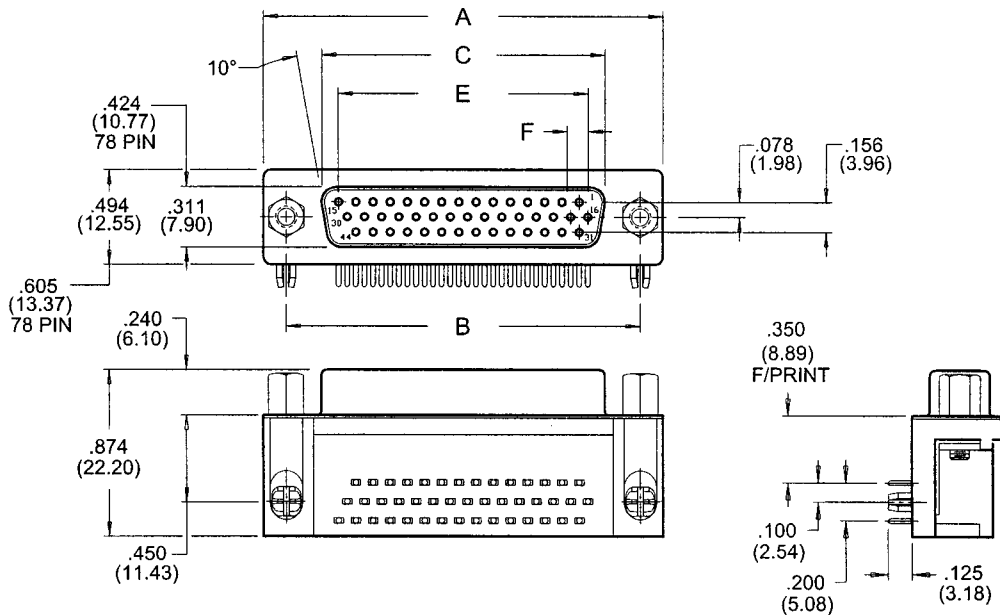
**MOUNTING OPTION**  
**0** .....#4-40 UNC standoff w/ threaded insert  
**1**......125" (3.18mm) dia. through-hole  
**2**.....#4-40 UNC threaded insert  
**3**.....#4-40 UNC hex standoff w/ threaded insert

# 633/634 SERIES

## PLUG 633 SERIES



## RECEPTACLE 634 SERIES



NUMBER OF CONTACTS	A		B		C PLUG		C RECEPTACLE		E		F	
	Inch	(mm)	Inch	(mm)	Inch	(mm)	Inch	(mm)	Inch	(mm)	Inch	(mm)
15	1.214	(30.84)	.984	(24.99)	.667	(16.92)	.640	(16.26)	.405	(10.29)	.090	(2.29)
26	1.545	(39.24)	1.312	(33.32)	.994	(25.25)	.967	(24.56)	.765	(19.43)	.090	(2.29)
44	2.088	(53.04)	1.852	(47.04)	1.534	(38.96)	1.508	(38.30)	1.305	(33.15)	.090	(2.29)
62	2.730	(69.34)	2.500	(63.50)	2.182	(55.42)	2.156	(54.76)	1.947	(49.45)	.095	(2.41)
78	2.635	(66.93)	2.406	(61.11)	2.090	(53.08)	2.064	(52.43)	1.805	(45.85)	.095	(2.41)

Plug and Receptacle, Right Angle, High-Density, .350" (8.89mm) Footprint