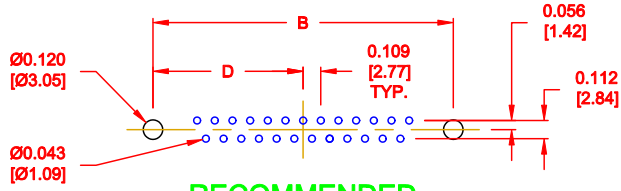
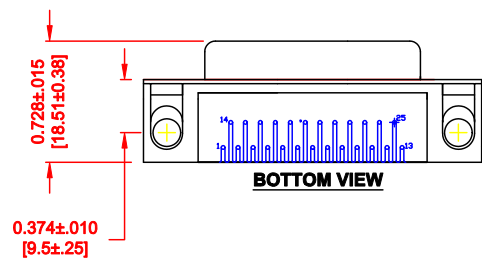
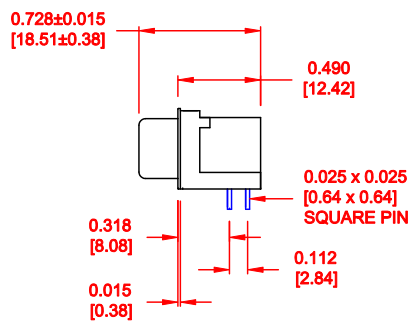
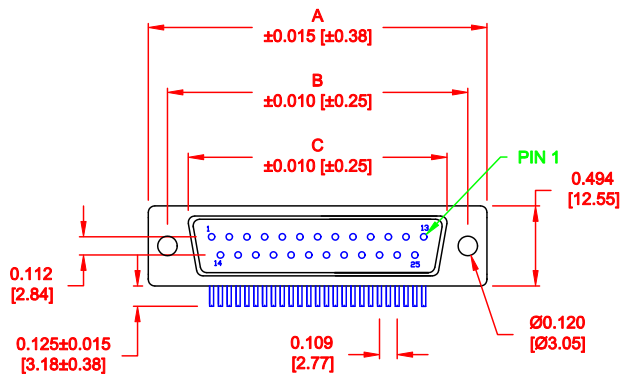


DESCRIPTION: R/A - 0.318 - FEMALE - ECONOMY - D SUB

25-PIN SHOWN

No. OF PINS	DIMENSIONS			
	A	B	C	D
009	1.213	0.984	0.642	0.492
	30.81	24.99	16.30	12.50
015	1.541	1.312	0.970	0.656
	39.14	33.32	24.65	16.66
025	2.088	1.852	1.512	0.926
	53.04	47.04	38.40	23.52
037	2.729	2.500	2.157	1.250
	69.32	63.50	54.80	31.75



RECOMMENDED PCB LAYOUT

182-YYY-2 1 3 RYY 1

SERIES
 No. of POSITIONS
 GENDER
 2 = FEMALE
 TERMINATION
 1 = PC MOUNT
 SHELL PLATING
 3 = NICKEL
 HARDWARE OPTIONS
 SEE PAGE 2
 PLATING OPTIONS
 1 = GOLD FLASH
 2 = 30u" GOLD

MATERIAL:

SHELL: STEEL, NICKEL PLATED
 INSULATOR: UL 94V-O RATED, BLACK, 260° NYLON
 CONTACT: BRASS OR PHOSPHOR BRONZE

ELECTRICAL:

CURRENT RATING: 5 AMPS
 DIELECTRIC STRENGTH: 1,000VAC rms
 INSULATION RESISTANCE: 1,000 MOHMS Min
 TEMPERATURE: -55°C TO +105°C
 CERTIFICATION: UL RECOGNIZED TO CATEGORY CODE ECBT2


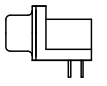
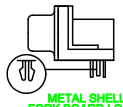
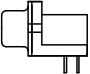
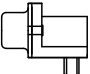
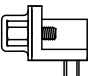
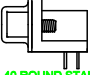
GENERAL TOLERANCES
 ±0.006 [0.15]
 HOLE : ±0.005 [0.13]

DO NOT SCALE FROM DRAWING

RoHS COMPLIANT


<p>THESE DRAWINGS AND SPECIFICATIONS ARE THE PROPERTY OF NorComp AND SHALL NOT BE REPRODUCED, COPIED OR USED AS THE BASIS FOR THE MANUFACTURE OF SALE OF APPARATUS WITHOUT WRITTEN PERMISSION.</p>	DRAWN: PAM JENKINS	DATE: 03-17-05
	CHECKED:	DATE:
	SCALE: 1 : 1	SHEET 1 OF 2
	DWG NO. 182-YYY-213RYY1	
		REV 7

DESCRIPTION: RIGHT ANGLE HARDWARE OPTIONS

	 0.141 ±0.020 METAL SHELL WITH INSIDE GROUND STRAPS	 METAL SHELL	 METAL SHELL FORK BOARD LOCKS
 .120" DIA. HOLE	16	43	N/A
 4-40 FLUSH INSERT	17	45	53 BOARD LOCKS IN HOLE
 4-40 HEX STANDOFF FEMALE SCREWLOCK	18	48	56 BOARD LOCKS IN HOLE
 4-40 ROUND STANDOFF FEMALE SCREWLOCK	N/A	N/A	N/A

DO NOT SCALE FROM DRAWING

RoHS COMPLIANT

	THESE DRAWINGS AND SPECIFICATIONS ARE THE PROPERTY OF NorComp AND SHALL NOT BE REPRODUCED, COPIED OR USED AS THE BASIS FOR THE MANUFACTURE OF SALE OF APPARATUS WITHOUT WRITTEN PERMISSION.		DRAWN: PAM JENKINS	DATE: 03-17-05
			CHECKED:	DATE:
<h1>NorComp</h1>		SCALE: 1:1	SHEET 2 OF 2	REV 7
		DWG NO. 182-YYY-213RYY1		